

NCA Series

Over-molded Cover (180° Cable Exit)

Common Connector Cover



Part Number (Details)

NCA 050 - PC 01 - *

Series No.

No. of Leads

Type of Cover = Over-molded

01 = For I/O Cables

Cover Colour:

0 = Beige (Standard)

2 = Black (not available for 36 and 68 leads)

Materials and Finish

Hood: ABS, UL94V-0 rated

Metal Parts: For leads 14 and 20 - Steel with Nickel Plating

For leads 26, 36, 50 and 68 - ZDC, Nickel Plating

Features

⇨ Shielded and Over-molded cover for EMI / ESD protection

Matching Plug Part Numbers for this Cover



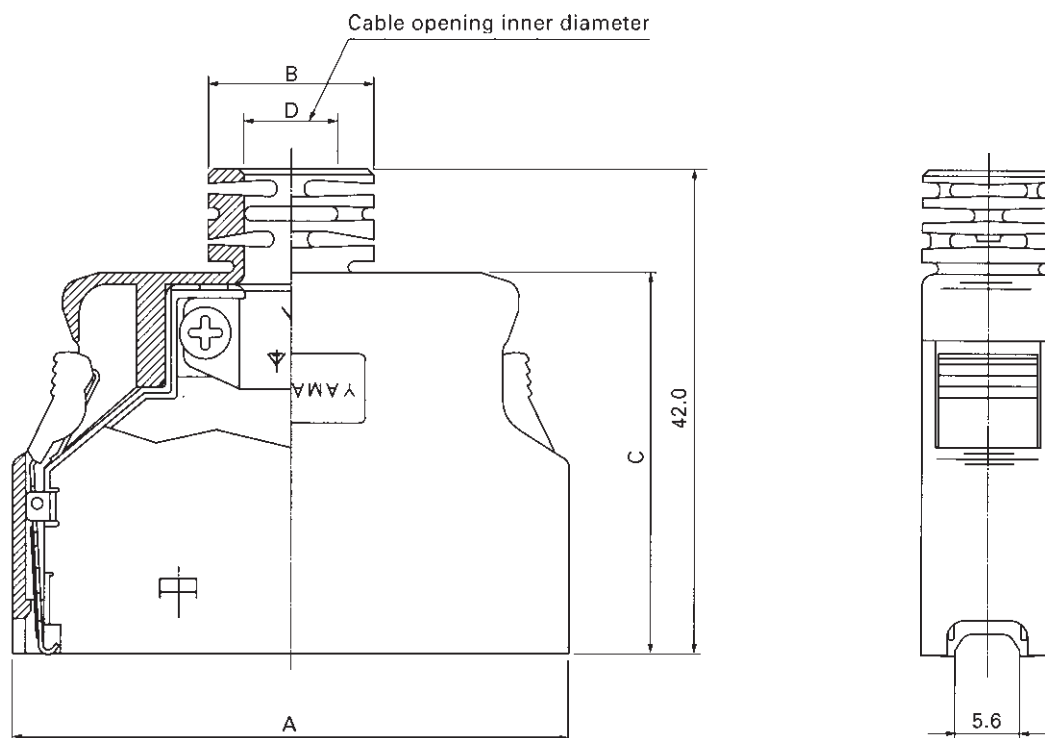
NHP026-0*0-BF

NHP036-0*0-BF

NHP050-0*0-BF

NHP068-0*0-BF

Outline Dimensions



| Part Number | No. of Leads | A | B | C | D (max.) |
|---------------|--------------|------|------|------|----------|
| NCA014-PC01-* | 14 | 27.4 | 18.7 | 33.0 | 6.4 |
| NCA020-PC01-* | 20 | 29.7 | 20.9 | 33.0 | 6.7 |
| NCA036-PC01-* | 36 | 39.8 | 31.1 | 33.0 | 8.1 |
| NCA050-PC01-* | 50 | 48.7 | 40.0 | 33.0 | 8.7 |
| NCA068-PC01-* | 68 | 60.1 | 51.4 | 33.0 | 9.1 |

NCA Series

Over-molded Cover (180° Cable Exit for Ø10.5mm Cable)

Common Connector Cover



Part Number (Details)

NCA 050 - PC 02 - 0

Series No.

No. of Leads

Type of Cover = Over-molded

02 = For I/O Cables

Cover Colour:

0 = Beige

Materials and Finish

Hood: ABS, UL94V-0 rated

Metal Parts: ZDC, Nickel Plated

Features

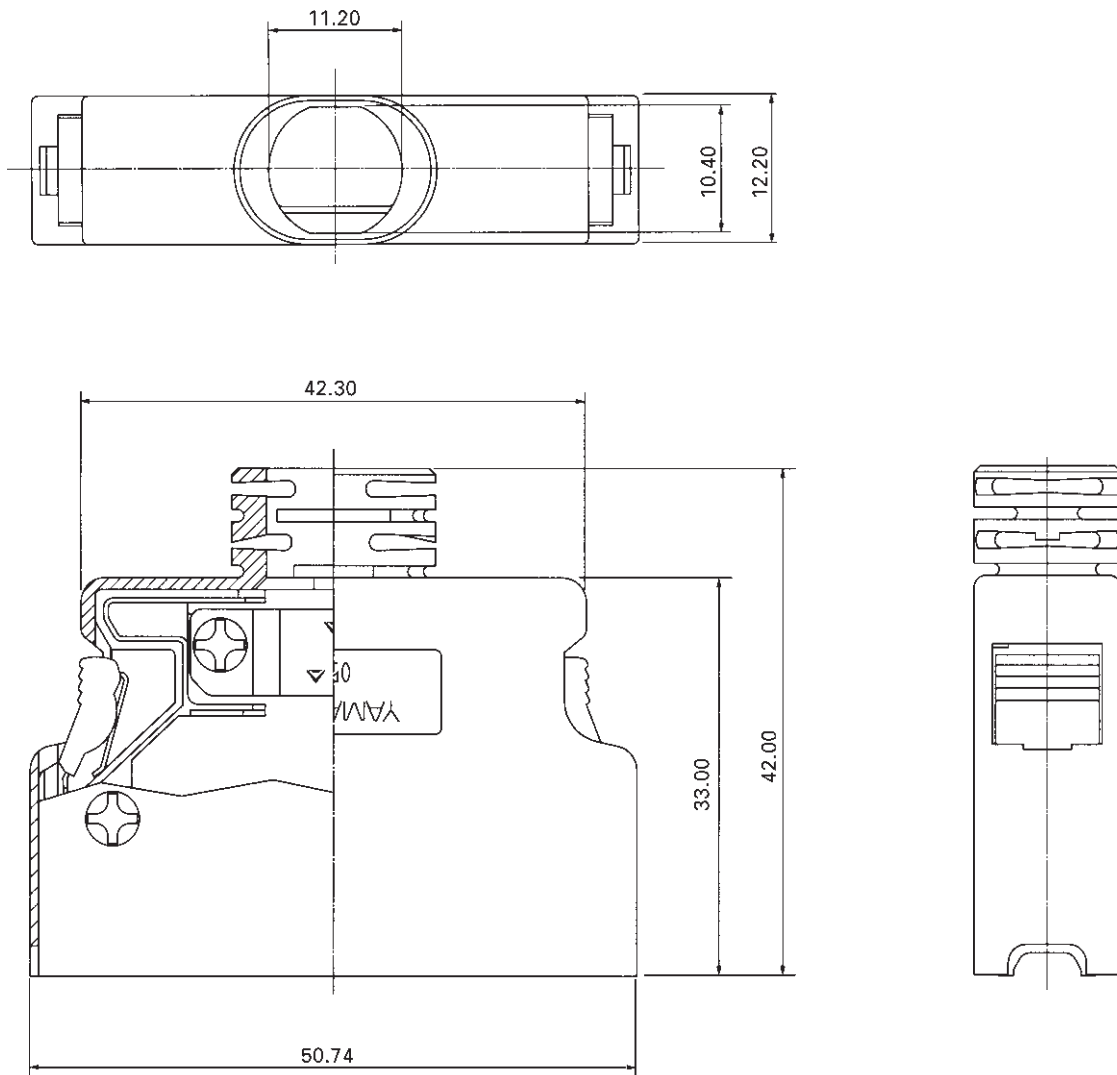
- ◇ Applicable cable outer diameter dimension: 9.5 to 10.5mm
- ◇ Shielded and Over-molded cover for EMI / ESD protection

Matching Plug Part Number for this Cover



NHP050-0*0-BF

Outline Dimensions



NHA Series

Metal Cover (180° Cable Exit)

Common Connector Cover



Part Number (Details)

NHA 050 - MC 01

Series No.

No. of Leads

Type MC = Metal Cover

01 = For I/O Cables

Materials and Finish

Metal Parts: ZDC, Nickel Plated

Features

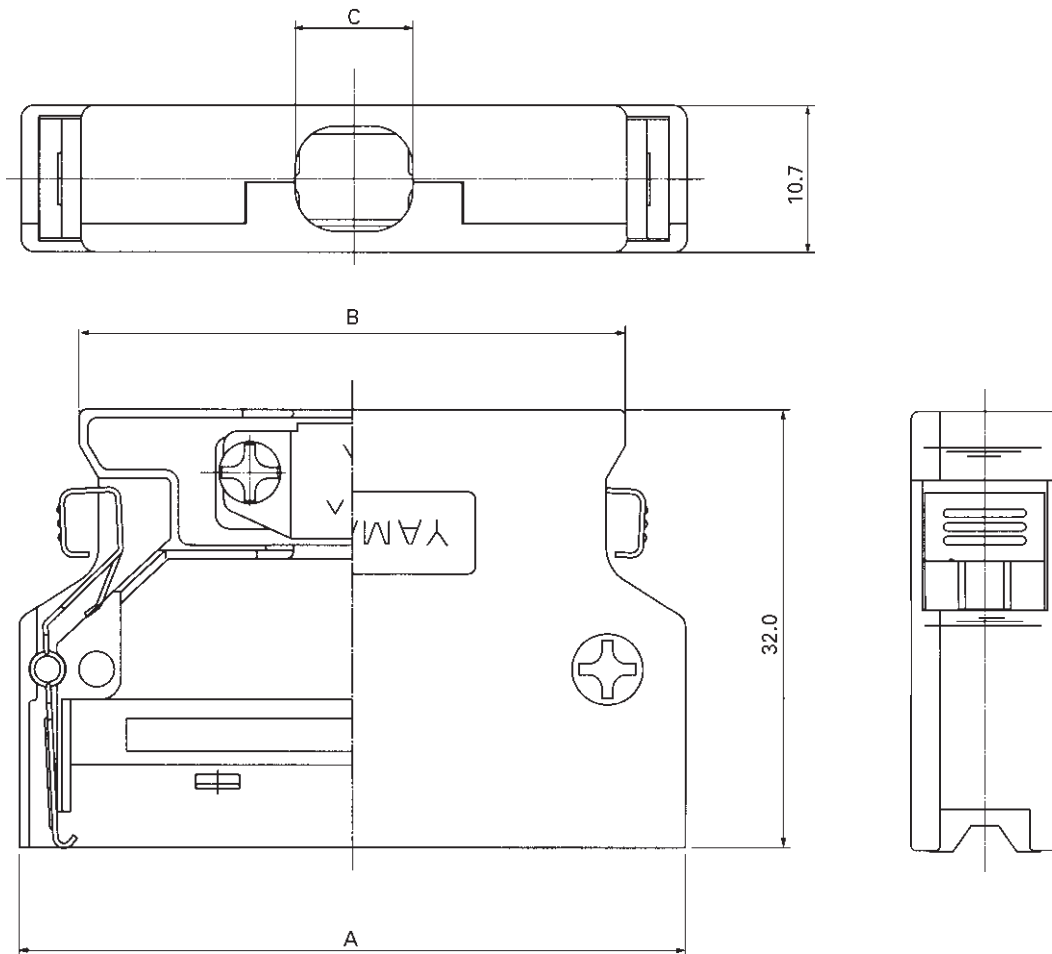
- ☞ Metal cover for EMI protection

Matching Plug Part Number for this Cover



NHP026-0*0-BF
NHP050-0*0-BF
NHP068-0*0-BF

Outline Dimensions



| Part Number | No. of Leads | A | B | C | Cable Outer Dia. |
|-------------|--------------|------|------|-----|------------------|
| NHA026-MC01 | 26 | 33.5 | 24.7 | 7.2 | ∅6.0 ~ ∅ 7.0 |
| NHA050-MC01 | 50 | 48.7 | 40.0 | 8.6 | ∅7.6 ~ ∅ 8.6 |
| NHA068-MC01 | 68 | 60.1 | 51.4 | 9.4 | ∅8.5 ~ ∅ 9.5 |

Common Connector Cover



Part Number (Details)

NHA 050 - MC 02

Series No.

No. of Leads

Type MC = Metal Cover

02 = For I/O Cables

Materials and Finish

Metal Parts: ZDC, Nickel Plated

Features

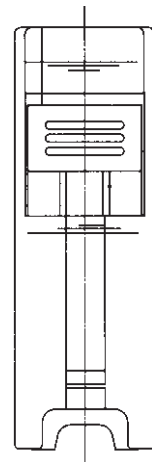
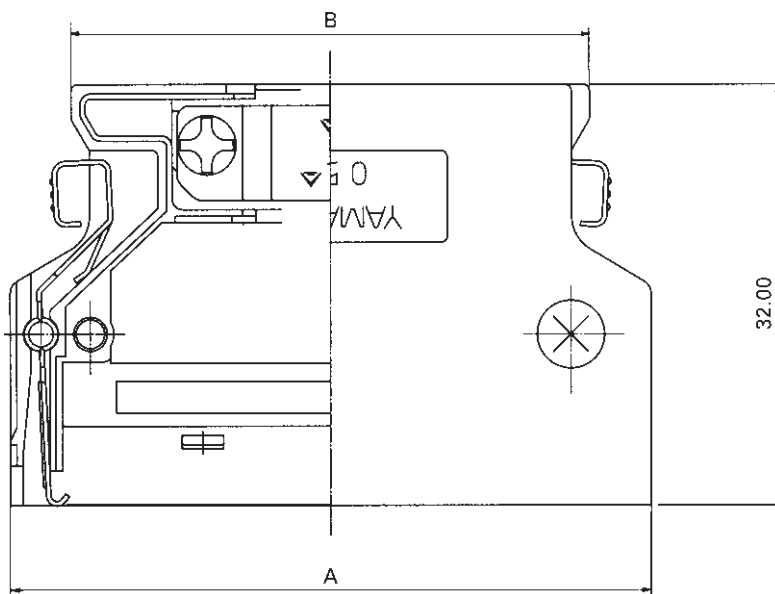
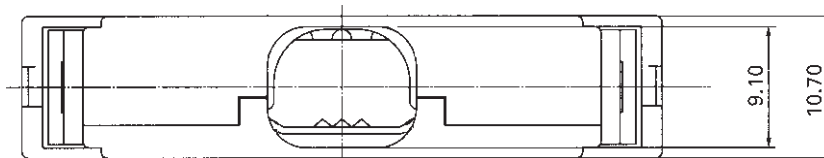
- ⇨ Metal cover for EMI protection

Matching Plug Part Number for this Cover



NHP036-0*0-BF
NHP050-0*0-BF

Outline Dimensions



| Part Number | No. of Leads | A | B | Cable Outer Dia. |
|-------------|--------------|-------|-------|------------------|
| NHA036-MC02 | 36 | 39.85 | 31.05 | Ø7.6 ~ Ø 8.6 |
| NHA050-MC02 | 50 | 49.34 | 39.94 | Ø9.5 ~ Ø 10.5 |

Common Connector Cover



Part Number (Details)

NHA 050 - MC 03

Series No.

No. of Leads

Type MC = Metal Cover

03 = For I/O Cables

Materials and Finish

Metal Parts: ZDC, Nickel Plated

Features

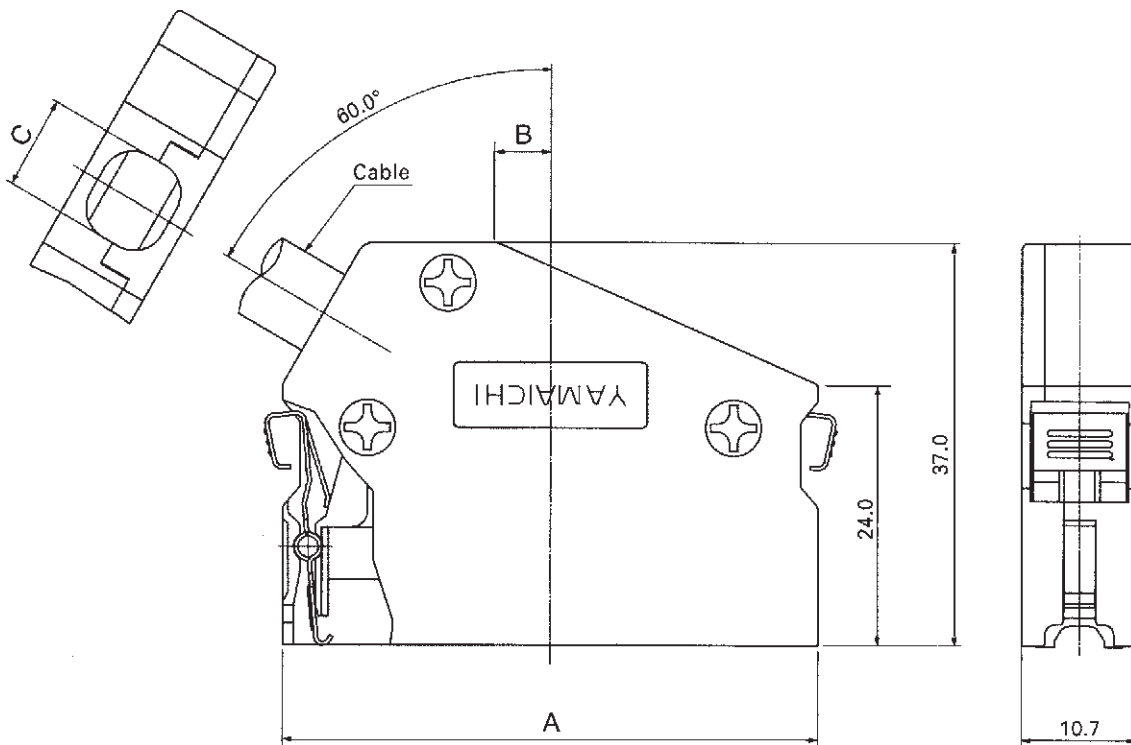
- ⇨ Metal cover for EMI protection

Matching Plug Part Number for this Cover



NHP026-0*0-BF
NHP050-0*0-BF
NHP068-0*0-BF

Outline Dimensions



| Part Number | No. of Leads | A | B | C | Cable Outer Dia. |
|-------------|--------------|-------|-------|------|------------------|
| NHA036-MC03 | 36 | 40.85 | 0.60 | 7.80 | Ø6.9 ~ Ø7.7 |
| NHA050-MC03 | 50 | 49.74 | 5.00 | 8.60 | Ø7.6 ~ Ø8.6 |
| NHA068-MC03 | 68 | 61.17 | 10.71 | 9.40 | Ø8.5 ~ Ø9.5 |

Screw Lock Type Cover



Part Number (Details)

NHA 068 S - PC 01 - *

| | |
|---|--|
| Series No. | |
| No. of Leads | |
| Mating Lock Type: S = Screw Lock | |
| Type of Cover = Over-molded Metal Cover | |
| 01 = For I/O Cables | |
| Cover Colour: 0 = Beige 1 = Grey 2 = Black | |

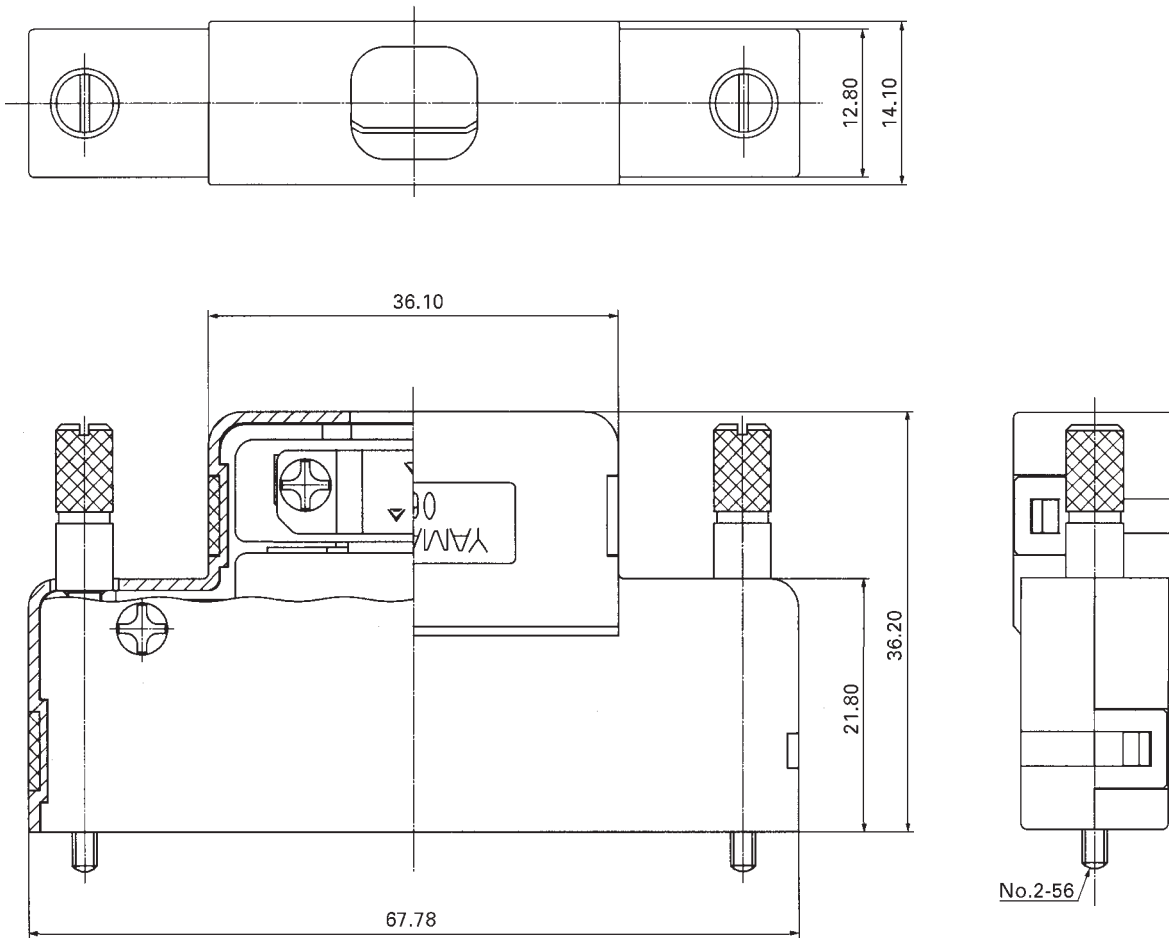
Materials and Finish

Hood: ABS, UL94V-0 rated
Metal Parts: ZDC, Nickel Plated

Features

- Applicable cable outer diameter: 9.5 to 10.5mm
- Shielded and Over-molded cover for EMI / ESD protection

Outline Dimensions



Specifications

Insulation Resistance: 1,000MΩ min. at 500V DC
 Withstanding Voltage: 500V AC rms for 1 minute
 Contact Resistance: 30mΩ max. at 10mA
 Current Rating: 0.5A
 Operating Temp. Range: -55°C to +85°C

Materials and Finish

Housing: PBT (glass filled), UL94V-0
 Contacts: Copper Alloy
 Plating: Mating Face Contacts - Au over Ni
 IDC Terminals - Flash Au over Nickel

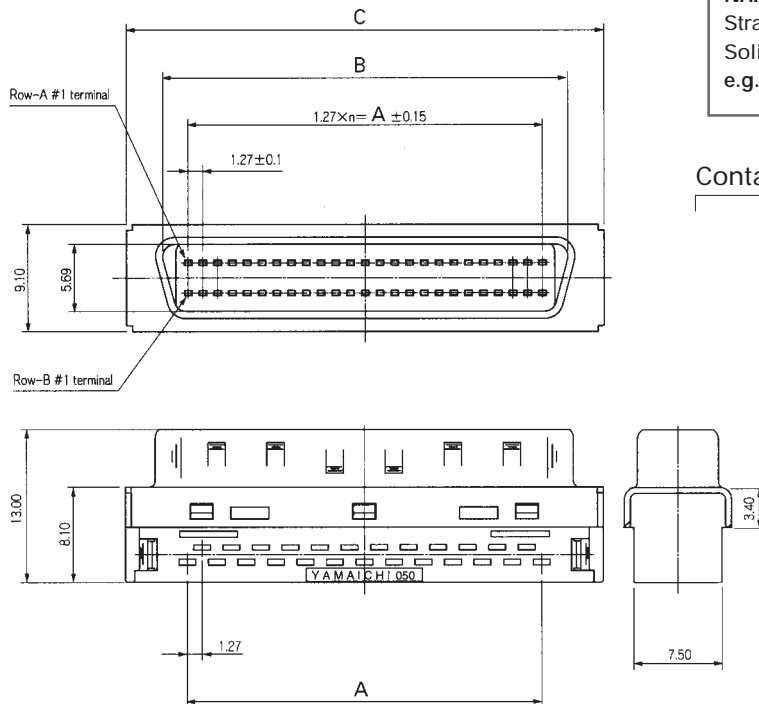


Features

- Half pitch interface connectors with SCSI-II pin type contacts
- Double-shield metal covers and over-mold covers provide full protection from EMI and ESD



Outline Plug Dimensions



Part Number (Details)

NHP 068 - 0 * 0 - BF

Series (plug) [068] - [0] * [0] - [BF]

No. of Leads [068]

0 = IDC for Flat Cables
 1 = IDC for Flat Cables
 2 = IDC for Discrete Wires

Connection Type: 0 = IDC

Contact Plating:
 B = Mating Face Contacts - Au (0.3µm min.) over Ni
 F = IDC Terminals - Flash Au over Ni

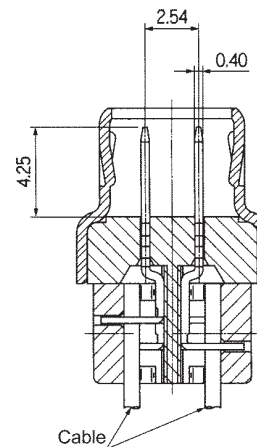
Applicable Cables (for e.g. see Section E)

NHP0-000-BF:** 1.27mm pitch flat cable.
 Stranded wire AWG 28 (7/0.127),
 cable outer diameter 0.5 to 0.7mm
 e.g. 7/0.1* (laminated)

NHP0-010-BF:** 1.27mm pitch flat cable.
 Stranded wire AWG 28 (7/0.127),
 cable outer diameter 0.8 to 1.1mm
 e.g. SFX-S*, DK**

NHP0-020-BF:** Discrete wire.
 Stranded wire: AWG 28 (7/0.127) or AWG 30 (7/0.1)
 Solid wire: AWG30
 e.g. SFX-S2*, 7/0.1*, 7/0.127* UL20276*

Contact Details



Standard types

| Part Number | No. of Leads | A | B | C |
|---------------|--------------|-------|-------|-------|
| NHP050-010-BF | 50 | 30.48 | 34.85 | 41.08 |
| NHP050-020-BF | 50 | 30.48 | 34.85 | 41.08 |
| NHP068-000-BF | 68 | 41.91 | 46.28 | 52.21 |
| NHP068-020-BF | 68 | 41.91 | 46.28 | 52.21 |

For the version below please contact Yamaichi, minimum order quantity may be required

| | | | | |
|---------------|----|-------|-------|-------|
| NHP050-000-BF | 50 | 30.48 | 34.85 | 41.08 |
|---------------|----|-------|-------|-------|