



## Cable Connector Housings

For D-Subminiature Connectors Series TMC

Housing versions KSG 200, KSG 185 and KSG 183



### General

ERNI offers three different versions of connector housing for Series TMC connectors acc. To DIN 41 652 and MIL C-24308.

- **KSG 200 Fully insulated housing with integrated shielding plates**
- **KSG 185 Housing with snap-in latches and/or screw locking, integrated coding**
- **KSG 183 Housing with snap-in latches**

All three versions of housing are of two-shell design which allows the wiring of the female or male connectors prior to housing assembly. All three housing versions can easily be disassembled.

With the KSG 185 (cable connector housing Series KSG 185) it is possible to lock the two shell halves with snap-in latches. There is also a screw for vibration-proof applications. The connector shell halves of Series KSG 183 are screwed together after wiring.

For applications with screw locking the KSG 185 offers locking parts for thread types M3 and #4/40 NC-2 A.

### Main features

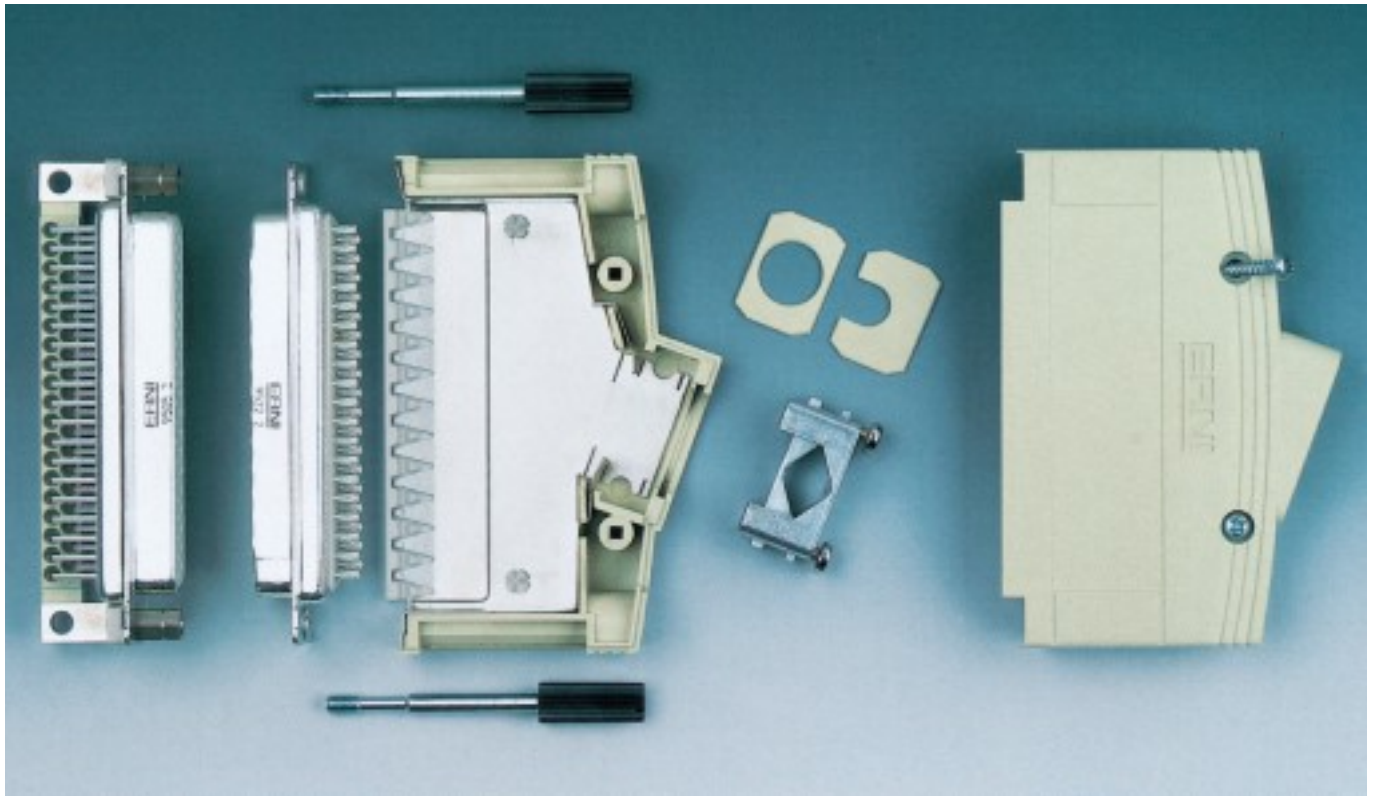
- Fully insulated housing
- Two-shell design to facilitate assembly
- Various types of locking such as snap-in, slide and screw locking
- Reliable strain relief with strain relief clamp
- Cable entry:
  - KSG 200 one 15° entry
  - KSG 185 sizes 9 and 15, one 75° entry sizes 25, 37 and 50 two 75° entries
  - KSG 183 size 9, one 90° entry-sizes 15, 25, 37 and 50, three 30° and 90° entries
- Cable sleeves and blind plugs included
- All parts needed to mount the housing are supplied
- KSG 200 with optimal ESD-protection and high EMI/RFI shielding
- KSG 200 with integrated shielding plates
- KSG 185 with integrated coding
- KSG 185 available in metallized version as well



# Cable Connector Housing Series KSG 200

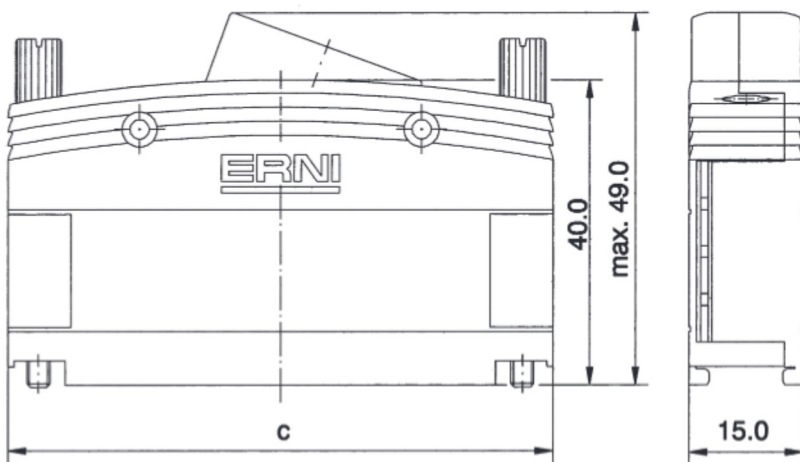
Fully insulated housing with integrated shielding plates

The illustration below shows a 37 pin housing



## Dimensions of cable connector housing Series KSG 200

The illustration below shows a 37 pin housing



Number of Pins	c	Cable diameter
9	33.0	4-8.5
15	41.3	4-11
25	55.0	4-11
37	71.5	4-11
50	-	-



## Series KSG 200



### Design of strain relief elements

The strain relief elements consist of two die-cast zinc components.

Contact with the braided shield is accomplished by the clamps, as the screws are tightened.



### Design of interface between shielding and D-Sub

The lamellar indents of the shielding plates will guide the ground connections from the cable shield via the strain relief clamp to the D-Sub connector. These lamellar indents make contact along the entire length of the connector.



### Easy assembly

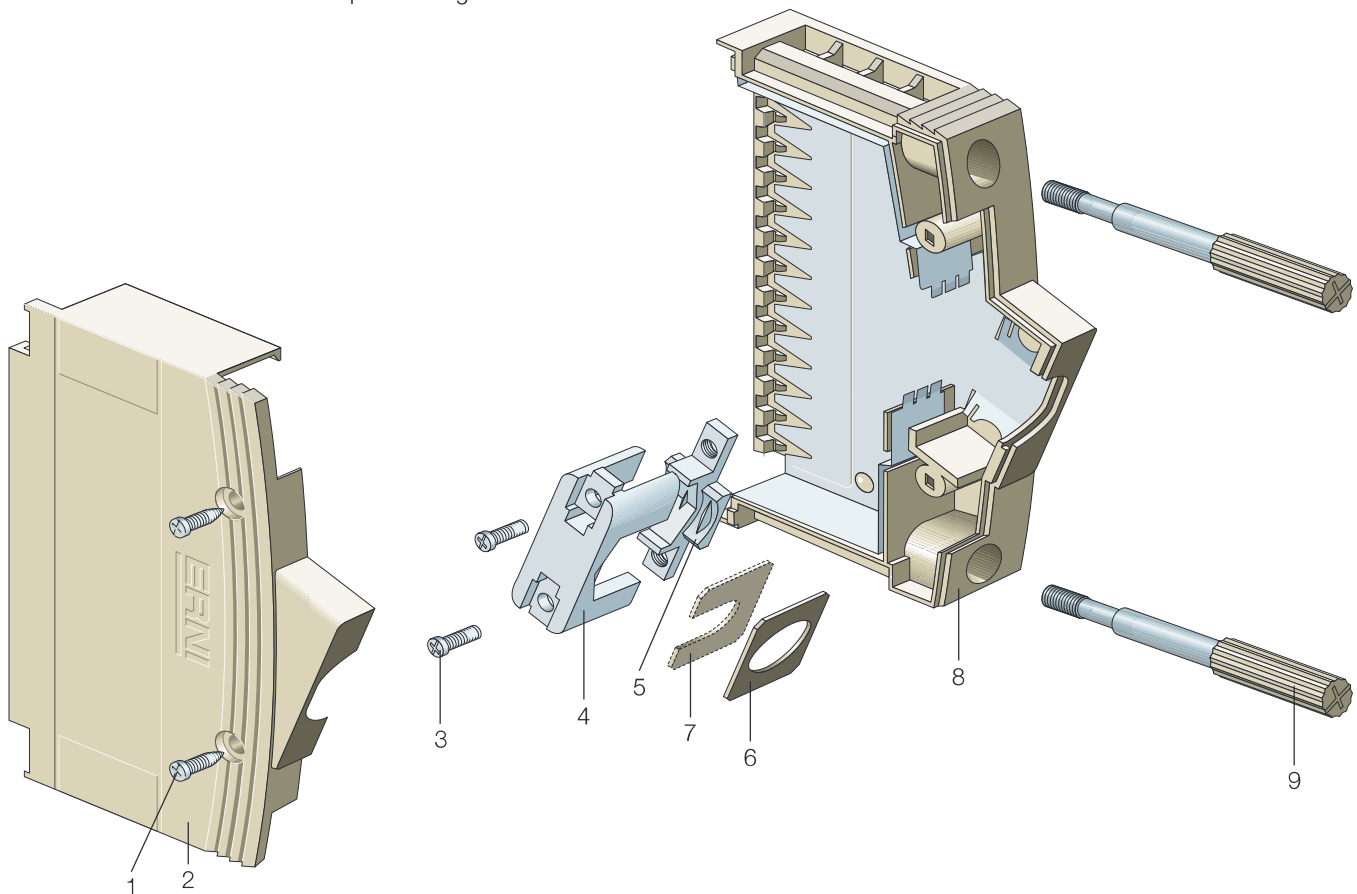
The KSG 200 consists of two half-shells which simply latch together. These latches can be opened again if the device needs to be serviced.

The two half-shells can also be screwed together.

## Series KSG 200

### Individual parts of cable connectors housing Series KSG 200 Housing with internal shielding plates

The illustration below shows a 37 pin housing



#### Individual parts

Item	Description	Material
1	Roundhead tapping screws B 2.2 x 9.5 DIN 7981	Galvanized steel
2	Connector housing upper part with riveted shielding plate	PC / German Silver
3	Flathead screws ISO 7405 M 2.5 x 10.0 – H	Galvanized steel
4	Terminal (upper Part)	Die-cast zinc
5	Terminal (lower Part)	Die-cast zinc
6	Cover plate ø 6.0 mm	PC
7	Cover plate ø 9.0 mm (only 25 and 37 pin)	PC
8	Connector housing lower part with riveted shielding plate	PC / German Silver
9	Knurled screws M3 or #4/40	Galvanized steel /PC



## Series KSG 200

### Kits of cable connector housing Series KSG 200

Cable connector housings of Series KSG 200 are supplied as kits or as spare parts. The internal shielding plates are permanently attached by rivets.

Standard packaging unit contains 1 pcs as kits.

Larger packaging units are also available on request (e.g. a complete package contains 250 pcs.)

### Ordering Information



with riveted shielding plates incl. knurled screws M3

Housing Size	Packaged as kits / Part Number
9	063385
15	063384
25	063383
37	063380
50	-

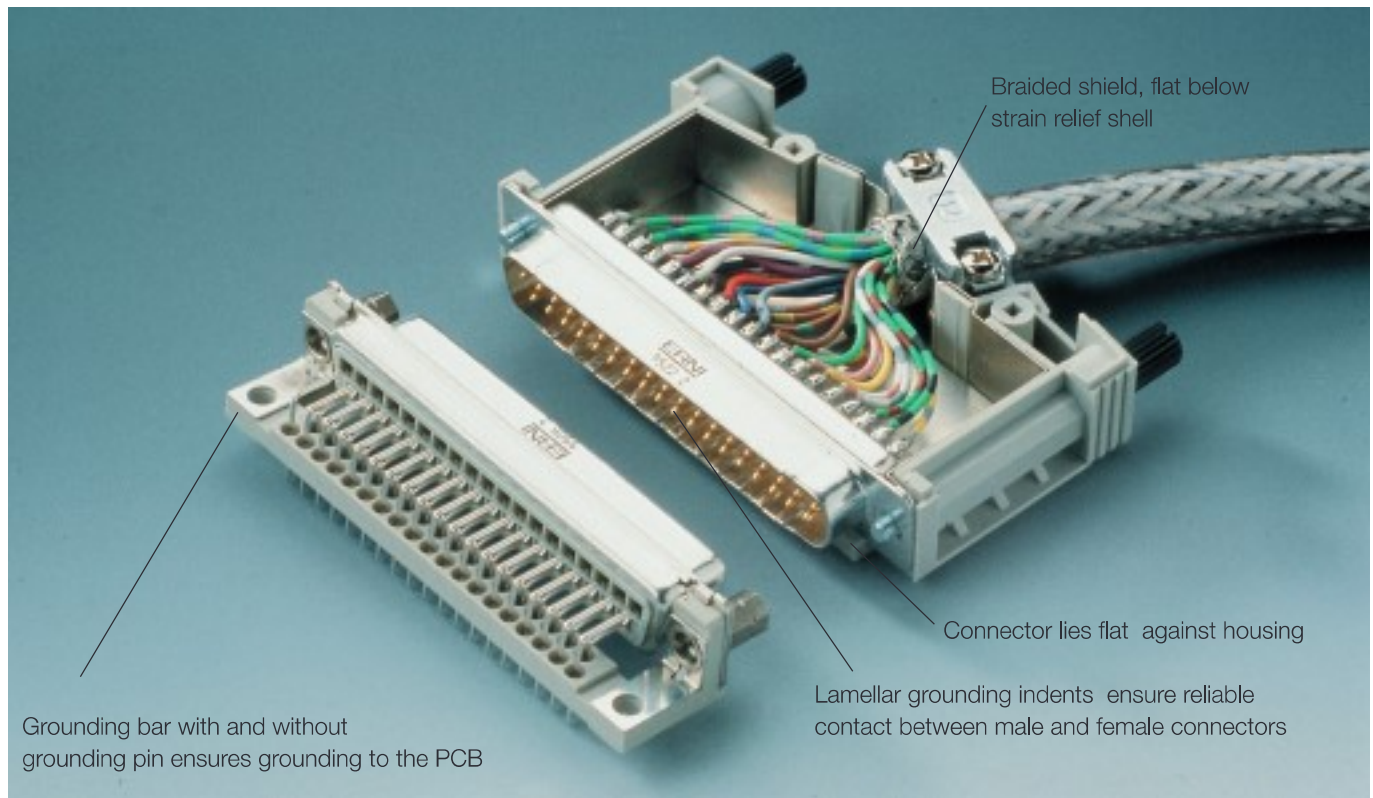


with riveted shielding plates incl. knurled screws #4/40

Housing Size	Packaged as kits / Part Number
9	063389
15	063388
25	063387
37	063386
50	-

## Series KSG 200

Structure of KSG 200 with construction details for shielding and ESD protection



### Shield attenuation diagram, measured using wire injection method

