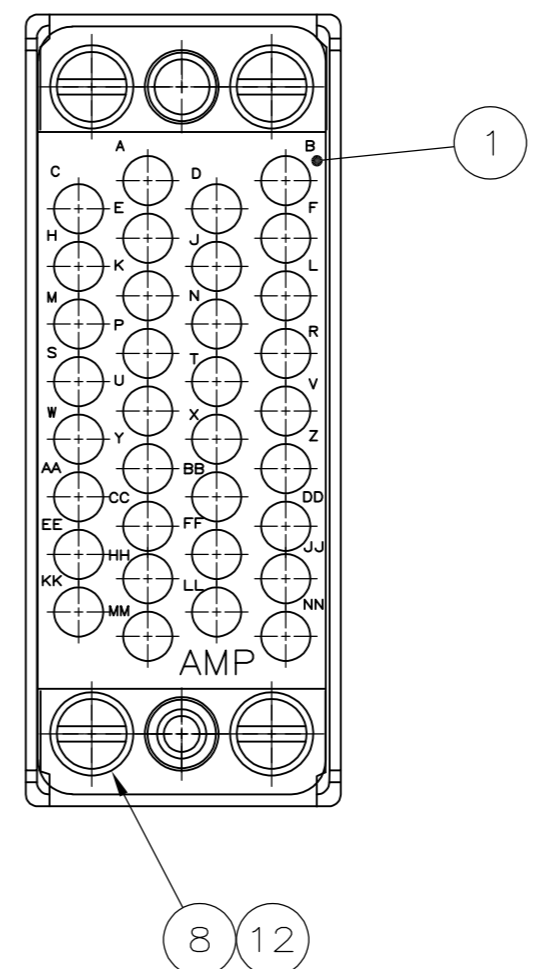
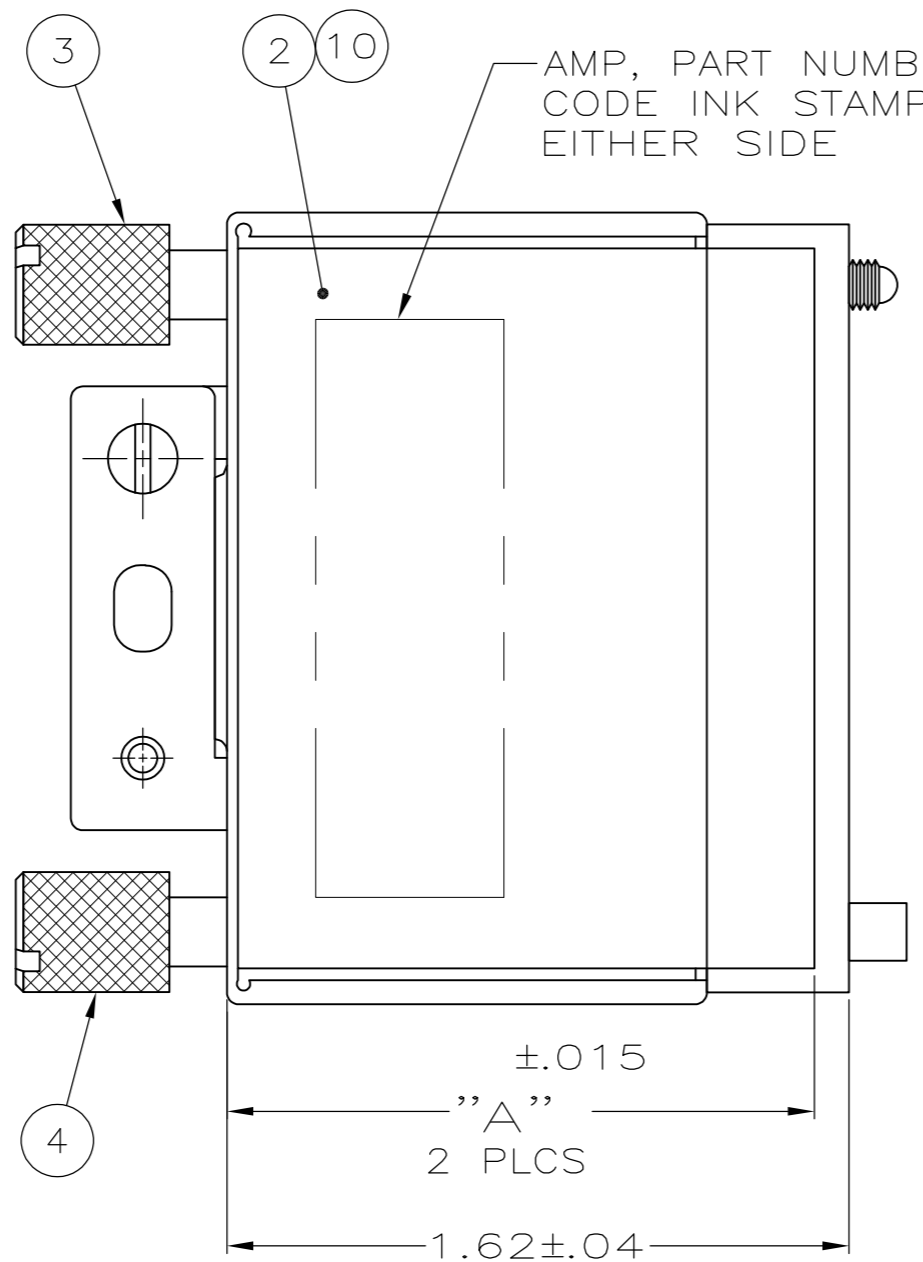
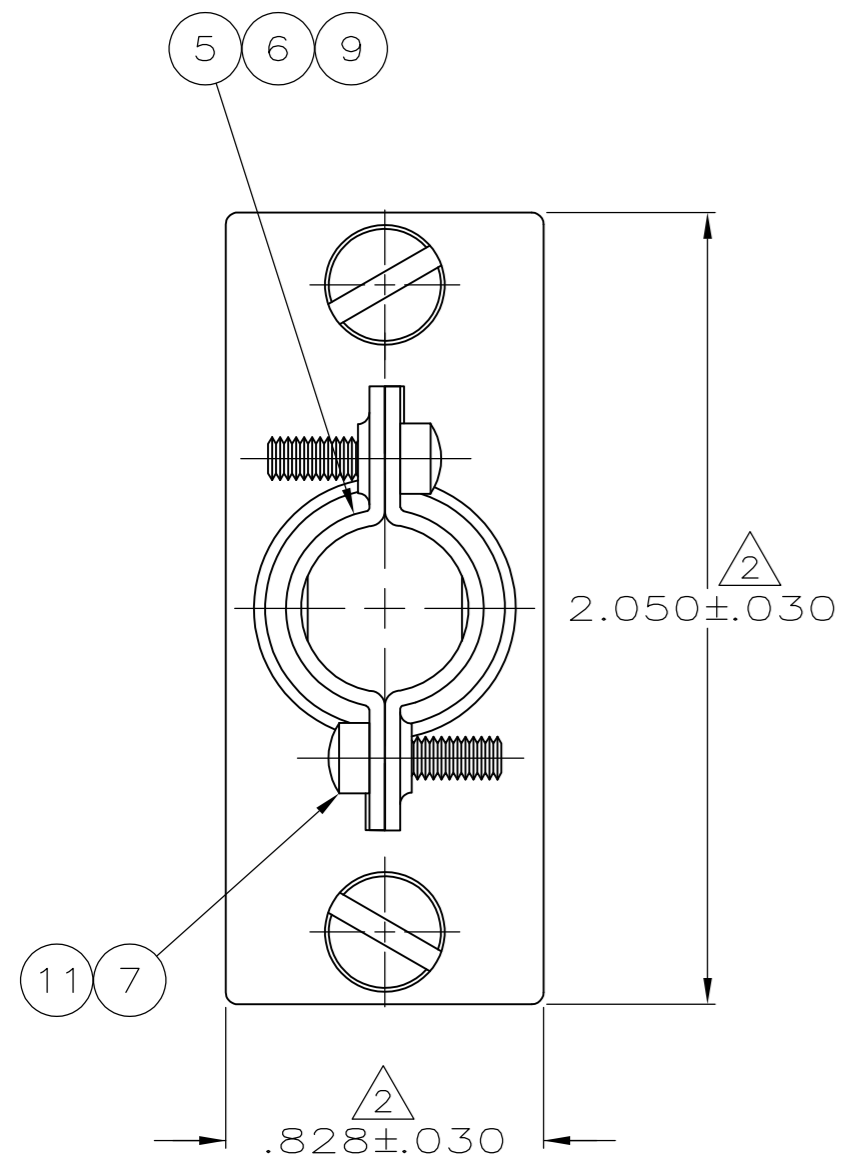


THIS DRAWING IS UNPUBLISHED. RELEASED FOR PUBLICATION
 © COPYRIGHT - By - ALL RIGHTS RESERVED.

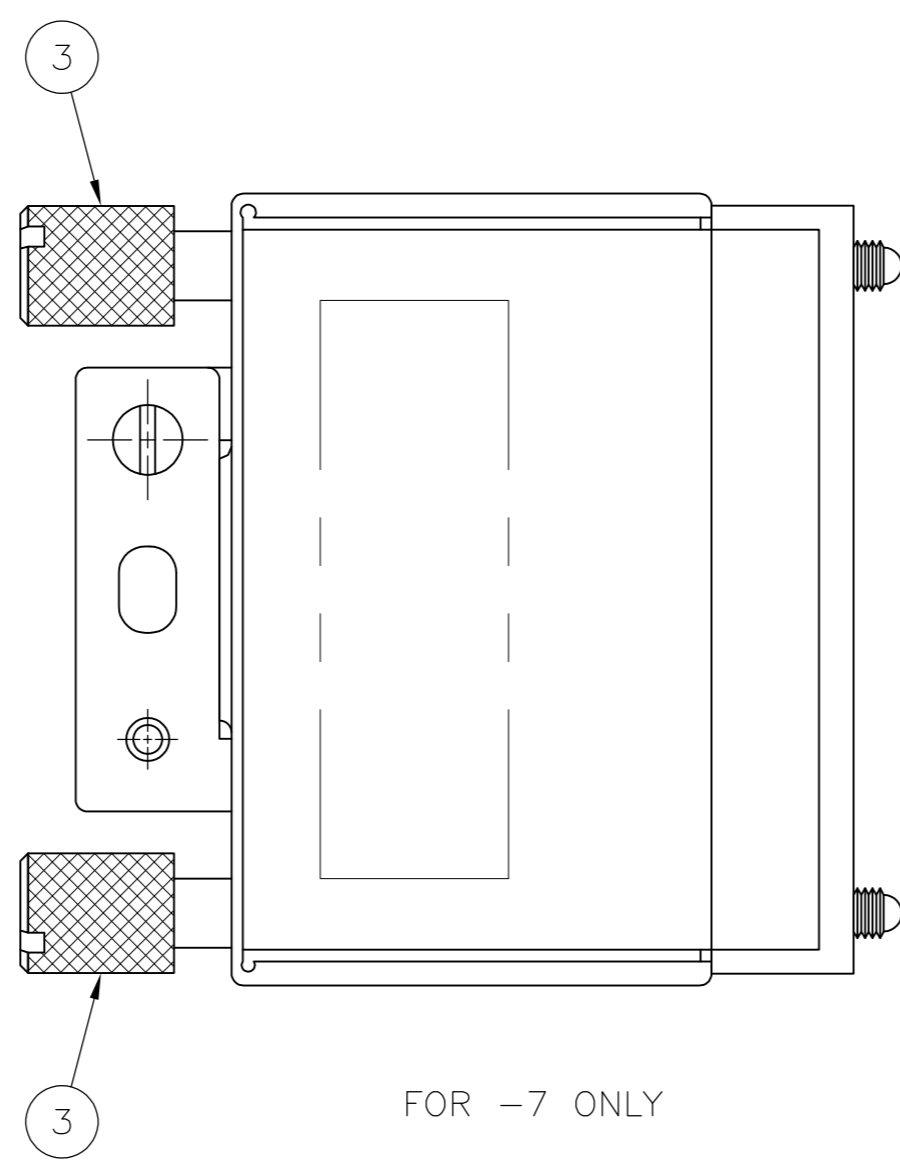
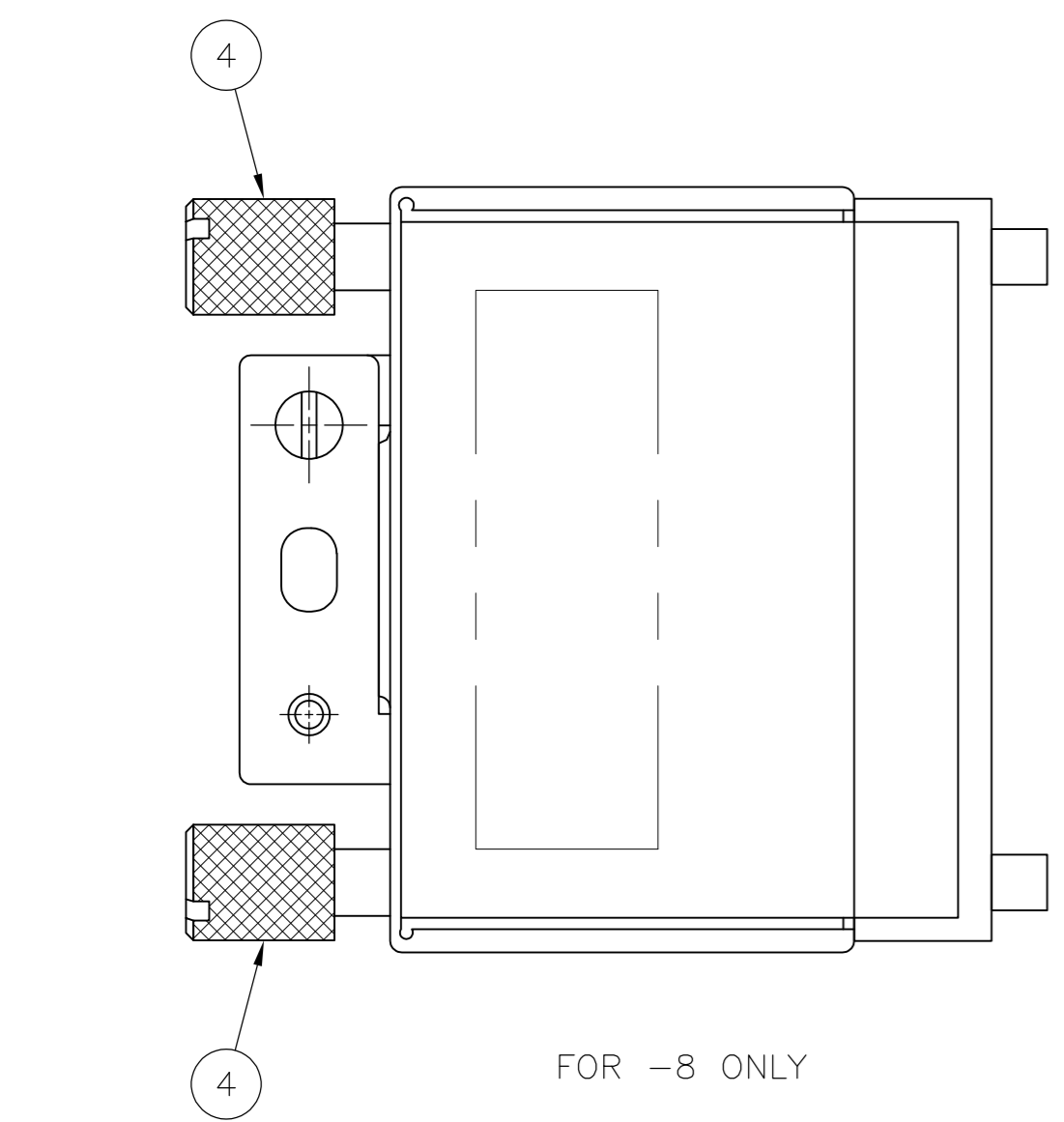
www.pewtronic.cz PLU020156

LOC	DIST	REVISIONS					
FT	0	P	LTR	DESCRIPTION	DATE	DWN	APVD
		F4		REVISED PER ECO-11-024884	14DEC11	KH	DR



- 1 PARTIALLY ASSEMBLED.
- 2 DIMENSION APPLIES AT BASE OF BEND.
- 3 ALL ITEMS BULK PACKAGED SEPARATELY WITHOUT INK MARKING.
- 4 PRELIMINARY PART NO.
- 5 FINISH: ZINC PLATE WITH HEXAVALENT CHROMATE.
- 6 FINISH: ZINC PLATE WITH NON-HEXAVALENT CHROMATE.
- 7 OBSOLETE PARTS: OBSOLETE CIS STREAMLINING PER D.RENAUD/D.SINISI

1.530	.1491-.2336	
1.530	.1491-.2336	
1.530	.1491-.2336	
7 OBSOLETE	1.225	.1491-.2336
OBSOLETE	1.530	.0314-.0707
7 OBSOLETE	1.530	.1491-.2336
1.530	.1176-.1643	
1.530	.1491-.2336	PLU020156
DIM A	CABLE AREA SQUARE INCHES	PART NUMBER



QTY	DESCRIPTION	MATERIAL	ITEM NO.
1	RECEPTACLE HOUSING, MOD 2 FEMALE JACKSCREW	PHENOLIC, BLACK	13
4	SCREW, #4-40, .250 LONG		12
2	SCREW, #4-40, .375 LONG	STEEL, PLATED ZINC	11
1	SHIELD, SHORT/SHORT	ALUMINUM, ANODIZED	10
2	CABLE CLAMP	STEEL, PLATED ZINC	9
4	SCREW, #4-40, .250 LONG	STEEL, PLATED ZINC	8
2	SCREW, #4-40, .375 LONG	STEEL, PLATED ZINC	7
2	CABLE CLAMP	STEEL, PLATED ZINC	6
2	CABLE CLAMP	STEEL, PLATED ZINC	5
2	JACKSCREW, FEMALE	STAINLESS STEEL	4
2	JACKSCREW, MALE	STAINLESS STEEL	3
1	SHIELD, SHORT	ALUMINUM, ANODIZED	2
1	RECEPTACLE HOUSING, MOD	PHENOLIC, BLACK	1

THIS DRAWING IS A CONTROLLED DOCUMENT.

DWN: D.ERDMAN 4-6-88
 CHK: R.STONE 4-6-88

TE Connectivity

KIT ASSEMBLY, RECEPTACLE, 34 POSITION, M SERIES

SIZE: A2 CAGE CODE: 00779 DRAWING NO: PLU020156 RESTRICTED TO: -

SCALE: 2:1 SHEET: 1 of 1 REV: F4