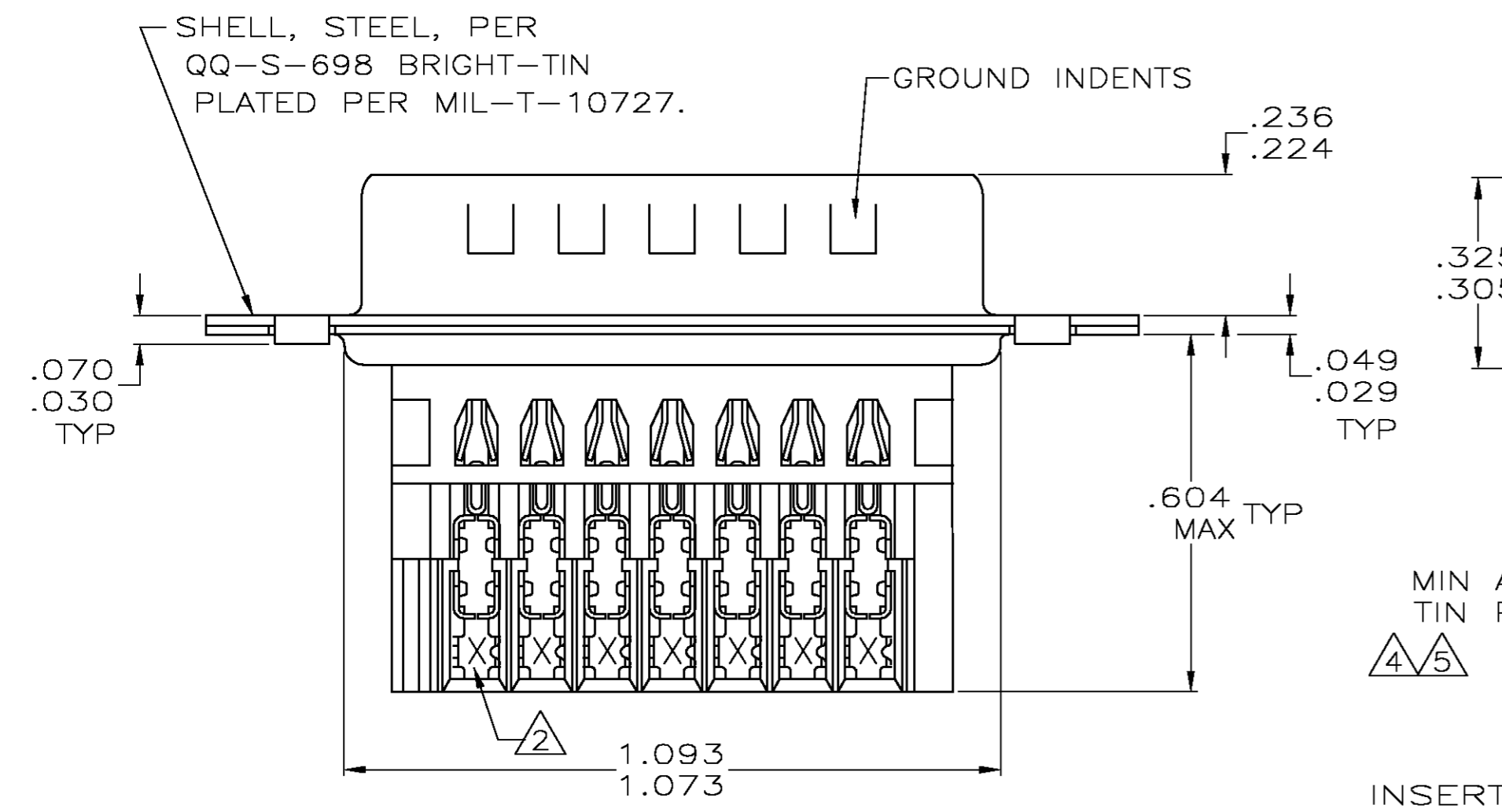
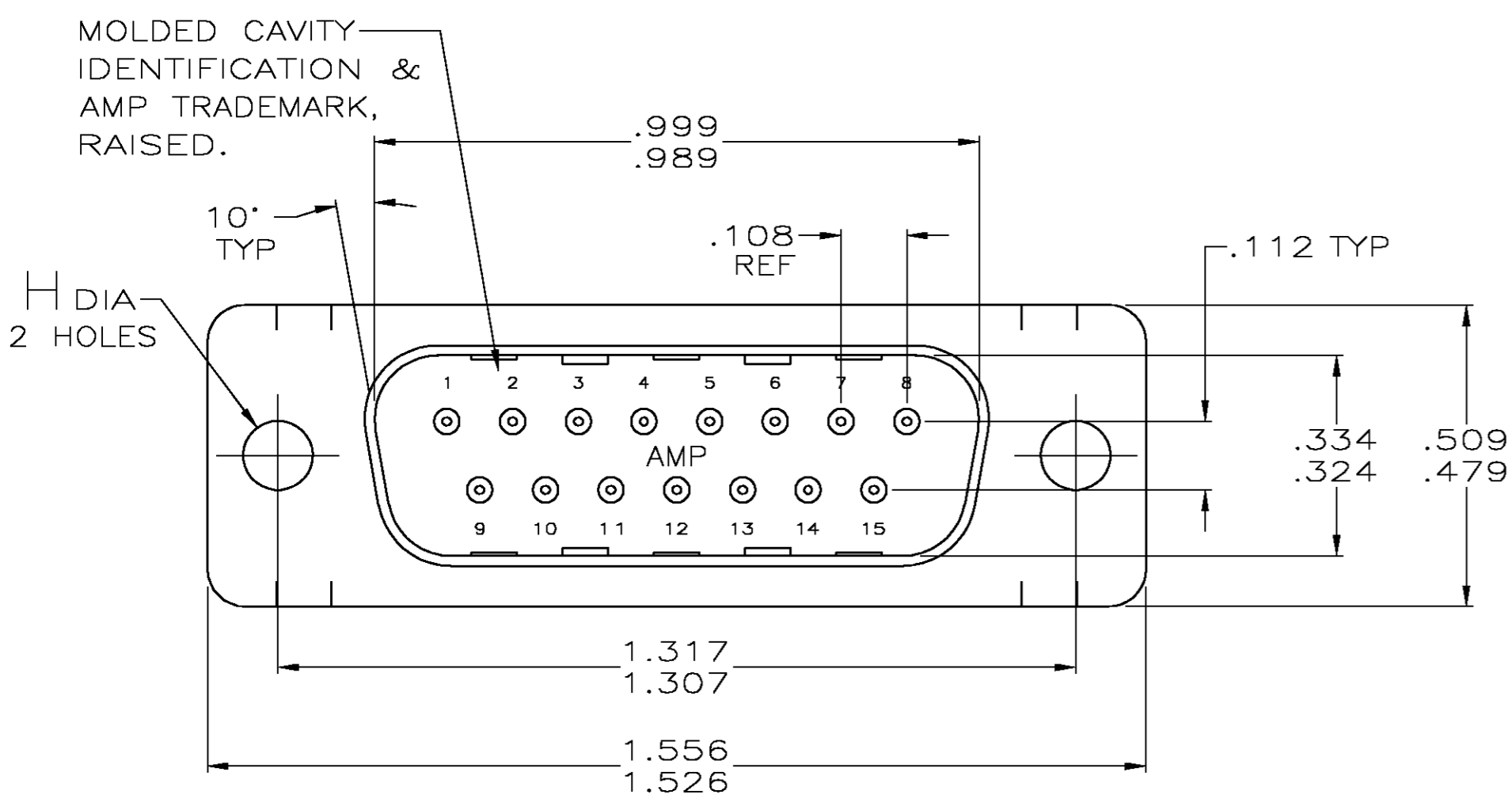
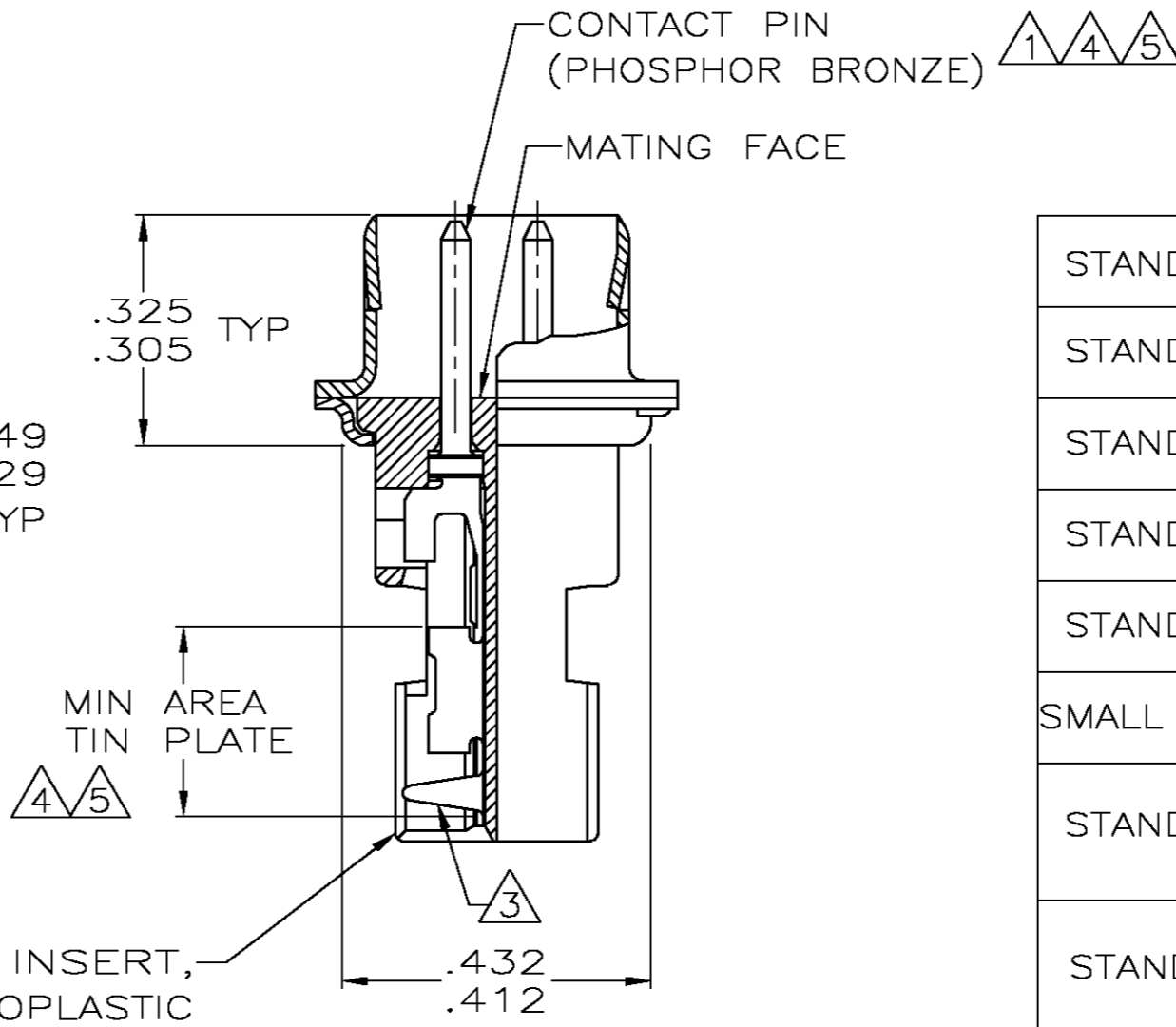


THIS DRAWING IS UNPUBLISHED. RELEASED FOR PUBLICATION
© COPYRIGHT BY TYCO ELECTRONICS CORPORATION. ALL RIGHTS RESERVED.

LOC		DIST		REVISIONS			
P	LTR	DESCRIPTION	DATE	DWN	APVD		
GP	00						
		T	REVISED PER EC 0S13-0257-04	11-16-04	LV	JG	



- ① HOUSING FULLY LOADED WITH CONTACTS.
- ② NUMBER ON CONTACT INDICATES WIRE RANGE.
- ③ CONTACT INSULATION RANGE: .060 MAXIMUM O.D.
- ④ GOLD PLATED FOR LENGTH OF .150 MIN FROM MATING END, .000030 MIN GOLD IN MATED AREA. .000100-.000200 BRIGHT TIN OR BRIGHT IN TIN-LEAD AREA SHOWN. .000050 NICKEL UNDERPLATE ON ENTIRE CONTACT.
- ⑤ GOLD PLATED FOR LENGTH OF .150 MIN FROM MATING END, GOLD FLASH IN MATED AREA. .000100-.000200 BRIGHT TIN OR BRIGHT IN TIN-LEAD AREA SHOWN. .000030 NICKEL UNDERPLATE ON ENTIRE CONTACT.
- ⑥ OBSOLETE PART NUMBER.
- ⑦ GOLD PLATED FOR LENGTH OF .150 MIN FROM MATING END, .000050 MIN GOLD IN MATED AREA. .000100-.000200 BRIGHT TIN OR BRIGHT IN TIN-LEAD AREA SHOWN. .000050 NICKEL UNDERPLATE ON ENTIRE CONTACT.



STANDARD	THICKNESS	FINISH	CONTACTS	WIRE RANGE	PART NUMBER
STANDARD	.125 .115	⑩⑫	2	#22-26	1-745494-8
STANDARD	.125 .115	⑩	1	#26-30	1-745494-7
STANDARD	.125 .115	⑪	2	#22-26	1-745494-6
STANDARD	.125 .115	⑩	2	#22-26	1-745494-5
STANDARD	.125 .115	⑦	2	#22-26	1-745494-4
SMALL PACK	.125 .115	⑤	2	#22-26	⑨ 1-745494-3
STANDARD	.156 .146	⑦	2	#22-26	⑥ 1-745494-2
			1	#26-30	⑥ 1-745494-0
STANDARD	.156 .146	④	3	#20-22	⑥ 745494-9
			2	#22-26	⑥ 745494-8
			1	#26-30	⑥ 745494-7
STANDARD	.125 .115	⑤	3	#20-22	⑥ 745494-6
			2	#22-26	745494-5
			1	#26-30	⑥ 745494-4
STANDARD	.125 .115	④	3	#20-22	⑥ 745494-3
			2	#22-26	745494-2
			1	#26-30	745494-1
PACKAGING	H	CONTACT FINISH	②	AWG WIRE RANGE	PART NUMBER

- ⑨ SUPERSEDED BY 745494-5
- ⑩ GOLD PLATED FOR LENGTH OF .150 MIN FROM MATING END. .000030 MIN GOLD IN MATED AREA. .000100-.000200 MATTE TIN IN AREA SHOWN. .000050 NICKEL UNDERPLATE ON ENTIRE CONTACT.
- ⑪ GOLD PLATED FOR LENGTH OF .150 MIN FROM MATING END. GOLD FLASH IN MATED AREA. .000100-.000200 MATTE TIN IN AREA SHOWN. .000030 NICKEL UNDERPLATE ON ENTIRE CONTACT.
- ⑫ GOLD PLATED FOR LENGTH OF .150 MIN FROM MATING END, .000050 MIN GOLD IN MATED AREA. .000100-.000200 MATTE TIN IN AREA SHOWN. .000050 MIN NICKEL UNDERPLATE ON ENTIRE CONTACT.

THIS DRAWING IS A CONTROLLED DOCUMENT.

DIMENSIONS: INCHES	TOLERANCES UNLESS OTHERWISE SPECIFIED:	DWN L. VARELA - DOCKS 11-16-04	CHK J. GERACE 11-16-04	APVD M. WALMSLEY 11-16-04	NAME
	0 PLC ± -	Tyco Electronics Corporation Harrisburg, PA 17105-3608			
	1 PLC ± -	PLUG ASSEMBLY, METAL SHELL, SIZE 2, 15 POSITION, SERIES HDE-20 FOR MAS TERMINATION			
	2 PLC ± -	108-40011	SIZE A2	CAGE CODE 00779	DRAWING NO. C=745494
	3 PLC ± .005	114-40002	SCALE 4:1	SHEET 1 OF 1	REV T
	4 PLC ± - ± 2				
MATERIAL SEE CALL OUT	FINISH SEE TABLES	CUSTOMER DRAWING			