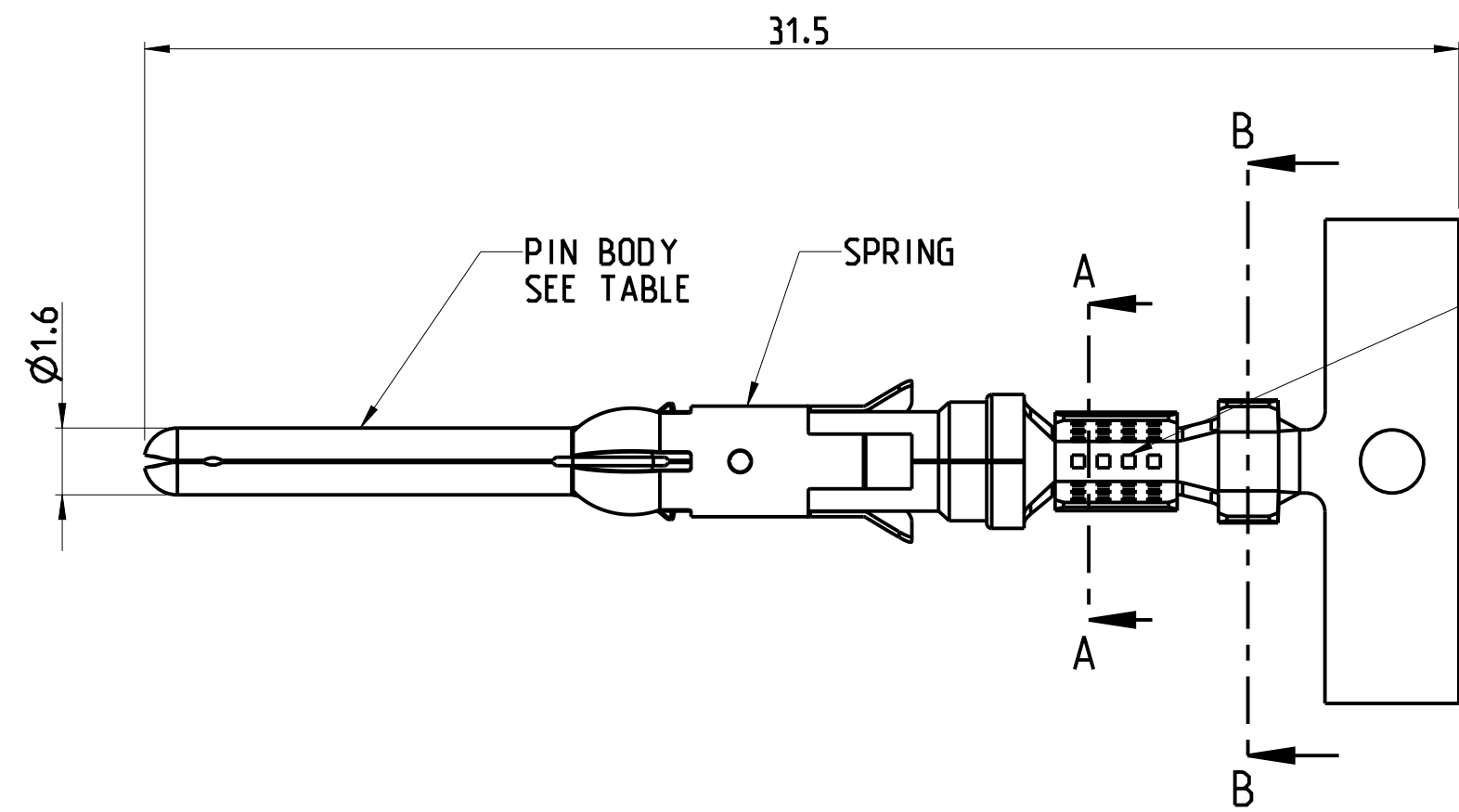
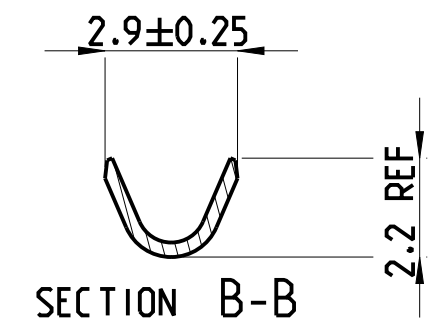
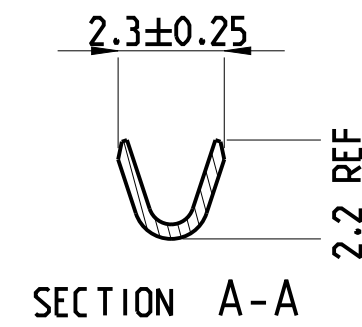
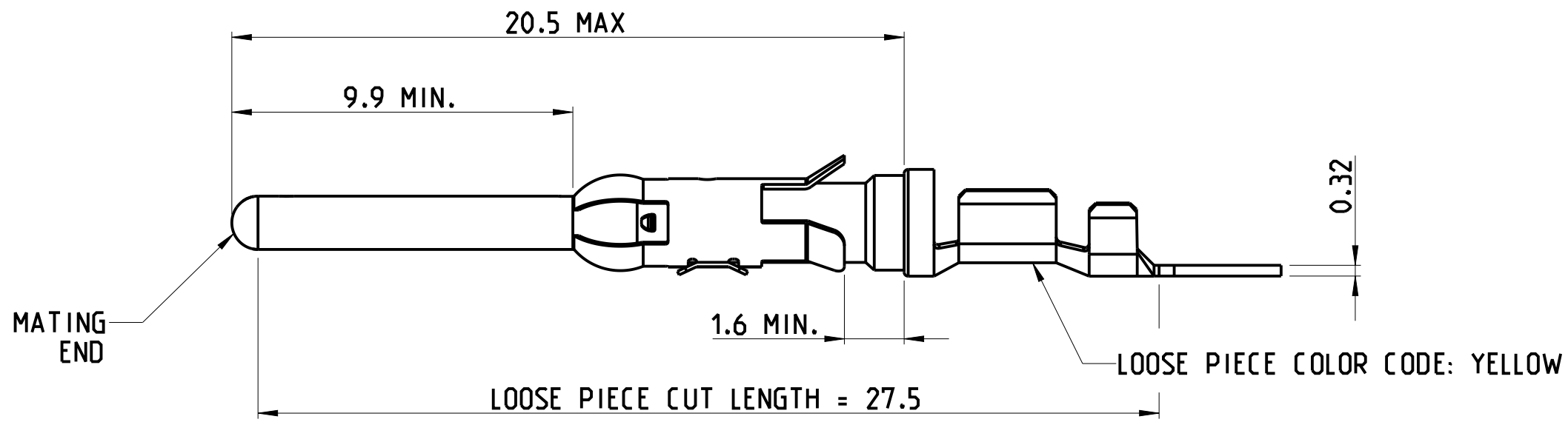
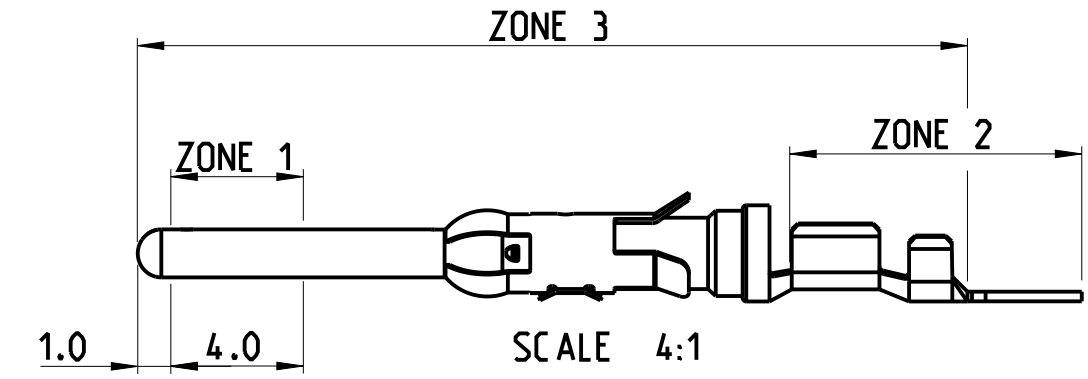


LOC	DIST	REVISIONS			
P	LTR	DESCRIPTION	DATE	DWN	APVD
B	-	AD1	COLOR CODE DETAILS ADDED	09JAN2014	TJ JK



PLATING ZONES



NOTES:

- 1. 1.27 MICRON MIN NICKEL PLATE OVER ZONE 3.
0.76 MICRON MIN PRECIOUS METAL PLATE OVER ZONE 1.
1 MICRON MIN TIN PLATE OVER ZONE 2.
CONFORMS TO THE REQUIREMENTS OF TE CONNECTIVITY PRODUCT SPEC 108-10042
BASED ON EIA/ECA-364-1000.01A (CONTROLLED ENVIRONMENT APPLICATIONS)
- 2. 1.27 MICRON MIN NICKEL PLATE OVER ZONE 3.
0.76 MICRON MIN PRECIOUS METAL PLATE OVER ZONE 1.
0.076 MICRON MIN GOLD FLASH PLATE OVER THE REMAINDER OF ZONE 3.
CONFORMS TO THE REQUIREMENTS OF TE CONNECTIVITY PRODUCT SPEC 108-10042
BASED ON EIA/ECA-364-1000.01A (CONTROLLED ENVIRONMENT APPLICATIONS)
- 3. 1.54 - 2.54 MICRON SILVER PLATE OVER ZONE 3.
- 4. 1.27 MICRON MIN NICKEL PLATE OVER ZONE 3.
0.76 MICRON MIN GOLD PLATE OVER ZONE 1.
0.076 MICRON MIN GOLDFLASH PLATE OVER THE REMAINDER OF ZONE 3.
- 5. 1.27 MICRON MIN NICKEL PLATE OVER ZONE 3.
0.76 MICRON MIN GOLD PLATE OVER ZONE 1.
1 MICRON MIN TIN PLATE OVER ZONE 2.
- 6. HOT-DIPPED PRETIN
- 7. 1.27 MICRONS MIN NICKEL PLATE OVER ZONE 3.
1 - 3 MICRON ELECTRO-TIN PLATE OVER ZONE 3
- 8. 0.76 MICRON MIN NICKEL PLATE OVER ZONE 3 PER QQ-N-290
1.5 - 2.54 MICRON SILVER PLATE OVER ZONE 3.
- 9. SERRATIONS CAN BE MULTILOCK OR TWO SLOTS
- 10. WIRE RANGE: 0.20 - 0.50 mm² (24-20 AWG)
- 11. INSULATION RANGE: 1.1 - 1.8 mm (.043-.070) DIA

REELING DIRECTION	FINISH	SPRING MATERIAL	PIN BODY	LOOSE PIECE	PART NUMBER
C	2	STAINLESS STEEL	BRASS		
AS DIRECTION 'A' BUT BARRELS DOWN	1	STAINLESS STEEL	BRASS		
A	7	STAINLESS STEEL	BRASS		
A	2	STAINLESS STEEL	BRASS		
B	2	STAINLESS STEEL	BRASS		
B	7	STAINLESS STEEL	BRASS		

THIS DRAWING IS A CONTROLLED DOCUMENT.		DWN J.BRIGHT 26/10/11	STE TB Connectivity		
DIMENSIONS: mm		CHK M.GREENER 26/10/11	MULTIMATE CONTACTS - PIN ASS'Y		
TOLERANCES UNLESS OTHERWISE SPECIFIED:		APVD D PENNINGTON 11/06/12	TYPE III, SIZE 16		
0 PLC ±0.5		PRODUCT SPEC 108-10042	24-20 AWG, 1.1-1.8mm DIA INSULATION		
1 PLC ±0.25		APPLICATION SPEC 114-10004	SIZE A2	CAGE CODE 00779	DRAWING NO PLU020063
2 PLC ±0.15		WRIGHT	SCALE NTS	SHEET 1 OF 1	REV AD1
3 PLC ±0.15		MATERIAL SEE TABLE	CUSTOMER DRAWING		
4 PLC ±		SEE TABLE			
ANGLES ±2°					