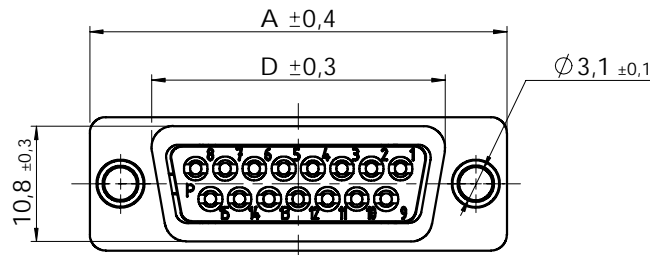
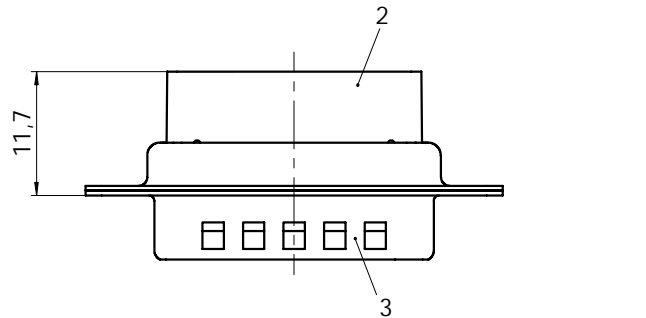


Fy^{*1)} xx^{*2)} P7-K120

e.g. FL25P7-K120

*1) y for series FL or FU

*2) xx No. of contacts 09, 15, 25 or 37



xx	A [mm]	B [mm]	C [mm]	D [mm]
09	30,8	16,9	25	19,3
15	39,1	25,2	33,3	27,5
25	53	38,9	47,04	41,3
37	69,3	55,3	63,5	57,7

Technical data for modification -K120 (FU)
Crimp contacts FK20S (AWG 20-24/1,3µm Au) included in delivery

No.	St.	Part	Type Description/Material	Surface plating/Colour/Class
3	1	Shell	Steel	tin plated
2	1	Insulator rear part	PI (-55°C - +130°C)	green
1	1	Insulator front part	PBTP	green

Technical data for modification -K120 (FL)

No.	St.	Part	Type Description/Material	Surface plating/Colour/Class
3	1	Shell	Steel	tin plated
2	1	Insulator rear part	PA66 (-55°C - +115°C)	black
1	1	Insulator front part	PBTP	black



Measurement without tolerance occ. to ISO 2768-m

SCALE 2:1

TITLE

D-Sub Crimp Connector

DRAWN 21-11-2003 Denzinger

CHECKED 21-11-2003 fflößmann



DWG.NO.

FyxxP7-K120

REV.

1

1 REV. DATE CH.-NO.

ORIGINAL: DIN A3-DRAWING AS A FILE

REPLACEMENT FOR:

FyxxP7-K120 a

PAGES 1