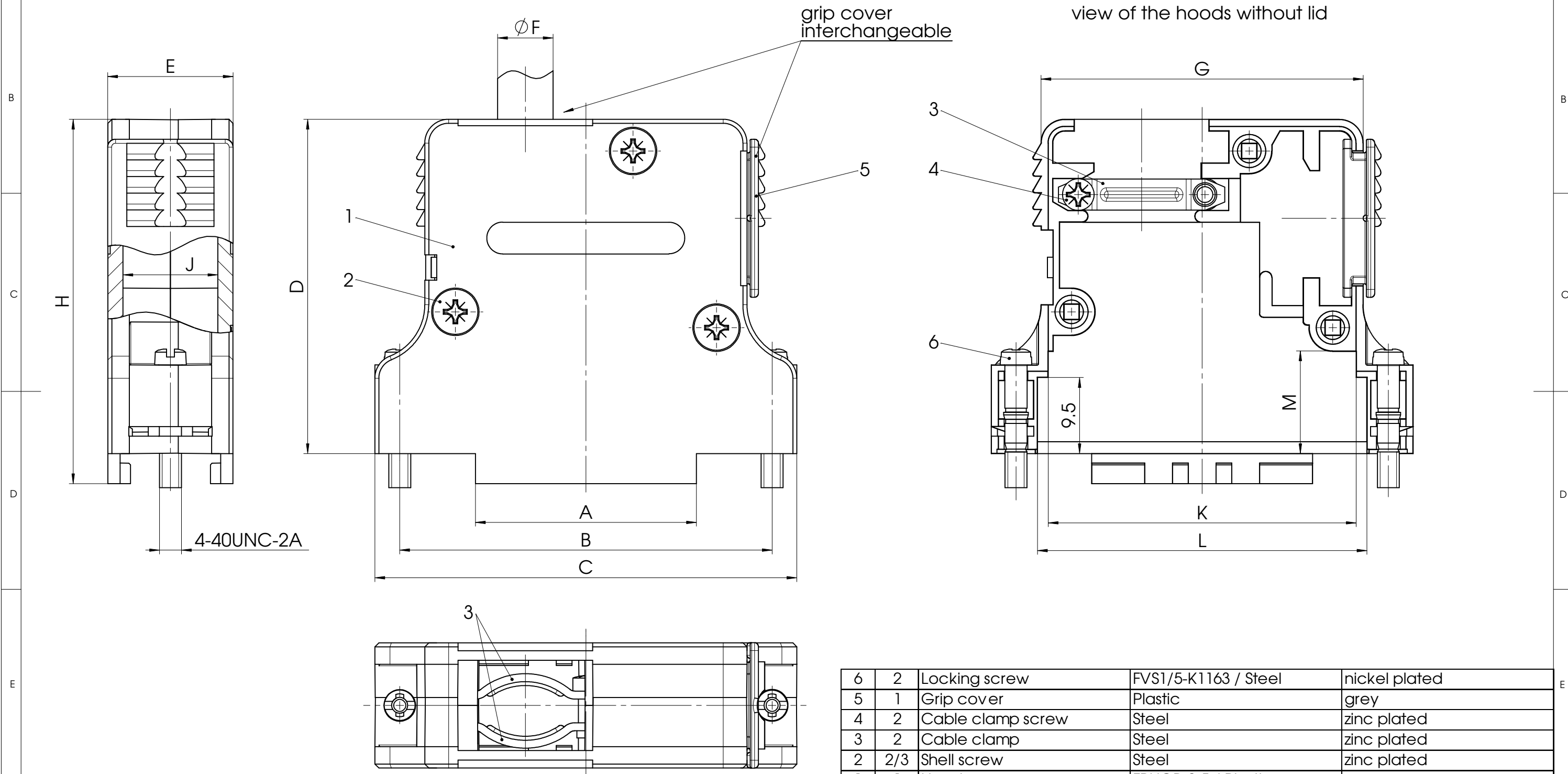


Order No.	Shell Size / for No. of Contacts	A ±0.3	B ±0.1	C ±0.3	D ±0.3	E ±0.3	∅F max.	G ±0.3	H ±0.3	J ±0.3	K ±0.3	L ±0.3	M ±0.5	cable outlet		
FPHGR-2	2 / 15	16.1	33.3	39.2	36.9	16	8	28.8	40.7	11.4	25.9	27.8	15	0°	-	90°
FPHGR-3	3 / 25	27.8	47	53.3	42.2	16	11.2	40.9	46	11.4	39.4	41.6	13	0°	≈ 60°	90°
FPHGR-4	4 / 37	44.4	63.5	69.7	42.2	16	11.2	57.4	46	11.4	54.9	58	12.8	0°	≈ 60°	90°
FPHGR-5	5 / 50	42	61.1	67.3	42.2	18.5	14	54.2	46	14	53.2	55.6	13	0°	≈ 60°	90°

∅F = Cable diameter



No.	St.	Part	Type Description/Material	Surface plating/Colour/Class
6	2	Locking screw	FVS1/5-K1163 / Steel	nickel plated
5	1	Grip cover	Plastic	grey
4	2	Cable clamp screw	Steel	zinc plated
3	2	Cable clamp	Steel	zinc plated
2	2/3	Shell screw	Steel	zinc plated
1	1	Hood	FPHGR-2-5 / Plastic	grey

Inscription on the reverse side  
 Hood is snapped together  
 FPHGR-2 with 2 shell screws (pos. 2)  
 Parts 2-6 not mounted  
 max. torque are 40 Ncm

DRAWN	Measurement without tolerance occ. to	SCALE	TITLE	DWG.NO.	REV.		
	ISO 2768-m					2:1	Plastic Hood
	NAME / DATE						
CHECKED	Anke Meyer-Richter 14-11-2007						
	KBurkhardt 15-11-2007						
<b>FCT</b> group fctgroup.com				FPHGR-2-5	1		
1	REV.	DATE	CH.-NO.	ORIGINAL: DIN A3-DRAWING AS A FILE	REPLACEMENT FOR: FPHGR-1-5c_ACAD		
				PAGES 1			

COMMENT:  
 ALL RIGHTS ARE RESERVED BY US FOR THIS DRAWING. WITHOUT OUR PRIOR CONSENT,  
 IT MAY NEITHER BE DUPLICATED NOR MADE AVAILABLE TO A THIRD PARTY.  
 AND IT ALSO MAY NOT BE IMPROPERLY USED BY THE RECEIVER, OR A THIRD PARTY.