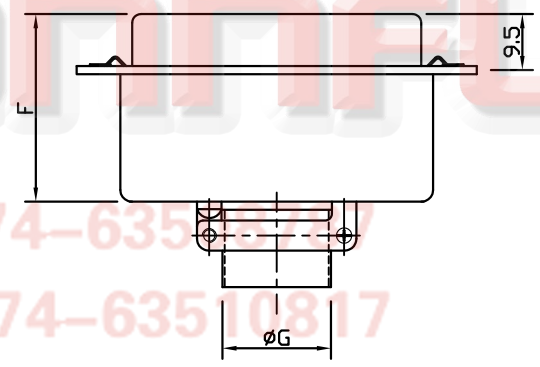
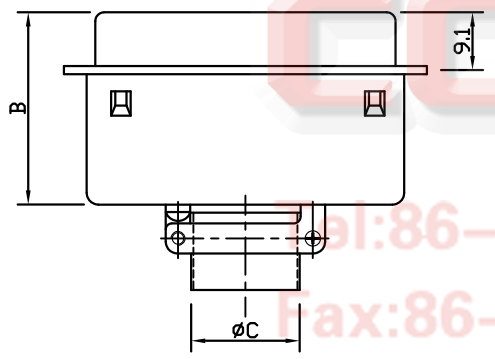
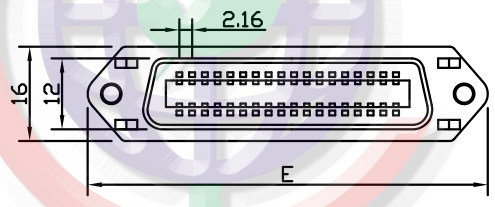
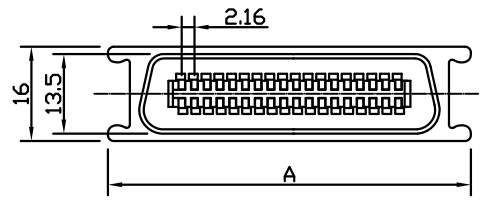


REV.	DESCRIPTION	DRAWN	CHECKED	APPROVED
A	NEW RELEASE	HP 17/06/05	~	LJC 17/06/05
B	DIM. CHANGE	YCH 06/27/07	~	LJC 06/27/07'
C	ADD P/N CODE	JLZ 11/05/14'	~	

Male

Female



Shell Size	A	B	C
24pin	49.0	30.0	$\phi 10.0$
36pin	61.5	30.2	$\phi 13.0$
50pin	76.7	33.0	$\phi 13.0$

Shell Size	E	F	G
24pin	54.8	30.0	$\phi 10.0$
36pin	67.8	31.8	$\phi 13.0$
50pin	82.9	33.0	$\phi 13.0$

NOTES:

- MATERIALS
 - Insulator: Thermoplastic(UL 94V 0)
 - Contact: Copper alloy
 - Shell: Steel
 - Hood: Steel
 - Washer: Steel
- SPECIFICATION
 - Current Rating: 3A
 - Dielectric withstanding voltage: 500V For 1 minute
 - Insulator Resistance: 1000MQ min
 - Temperature Range: -40°C ~ +105°C
- PRODUCT NUMBER CODE:

DS1078 - X X X X

- Color of housing
 - L:Blue
 - B:Black
- CONTACT PLATED
 - 0: Selective gold flash
- Connector type
 - M: Male
 - F: Female
- No. of contacts
 - 24: 24pin
 - 36: 36pin
 - 50: 50pin

TEL:86-574-63510817
 Fax:86-574-63510817
 E-mail:sale@connfly.com
 http://www.connfly.com
 Add:East Industry Zone KuangYan
 Town Cixi Ningbo China
 P.C:315333

GENERAL TOLERANCE	ANGLE TOLERANCE	PROJECTION		TITLE	CENTRONIC CONNECTORS SOLDER	
X. ± 0.60	X. $\pm 5^\circ$	UNITS	mm	SHEET	A4	SERIES DS1078
.X ± 0.38	.X $\pm 3^\circ$	DRAWING TYPE	CUSTOMER			
.XX ± 0.25	.XX $\pm 2^\circ$	SCALE	1:1	SHEET	1 OF 1	
DRAWING NO. C-DS1078-XXXX-C		晨翔电子有限公司 CONNFLY CONNFLY ELECTRONIC CO. LTD				