

D-Sub Connectors Crimp

Crimp Contacts for Male Connectors



SPECIFICATION:

Operating Current (Nom.):	1 A
Operating Temperature:	-40°C to 70°C
Contact Resistance (Max.):	30 mΩ
Dielectric Strength:	500 Vac
AWG (Max.):	AWG 24
AWG (Min.):	AWG 26
Cable Diameter (Max.):	1.5 mm
Operating Life in Mating Cycles (Min.):	200

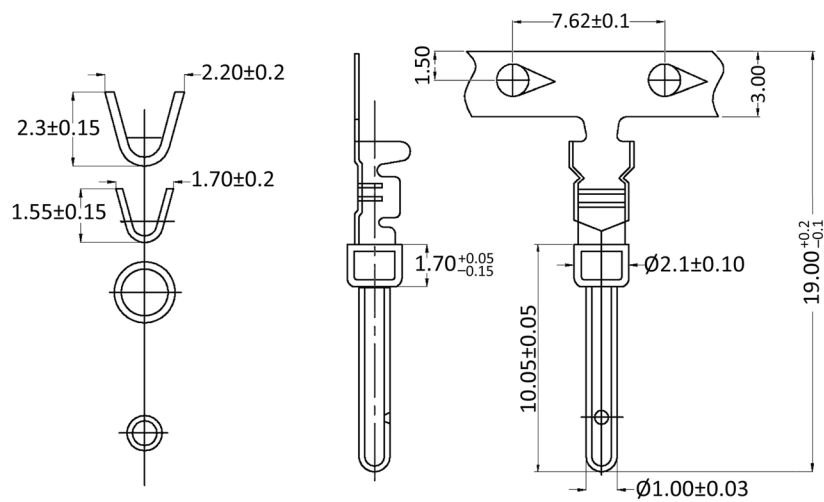


MATERIAL:

Material (Contact Area): Brass, 0.6 μ" Gold over 60 μ" Nickel

HANDLING:

Packaging:: Reel with 10K, otherwise separately cut



Order Information

Identifier:

CKS

Male contacts crimp

Packing Unit:

#

/100: 100 pieces separately cut

/500: 500 pieces separately cut

/10K: roll with 10.000 pieces