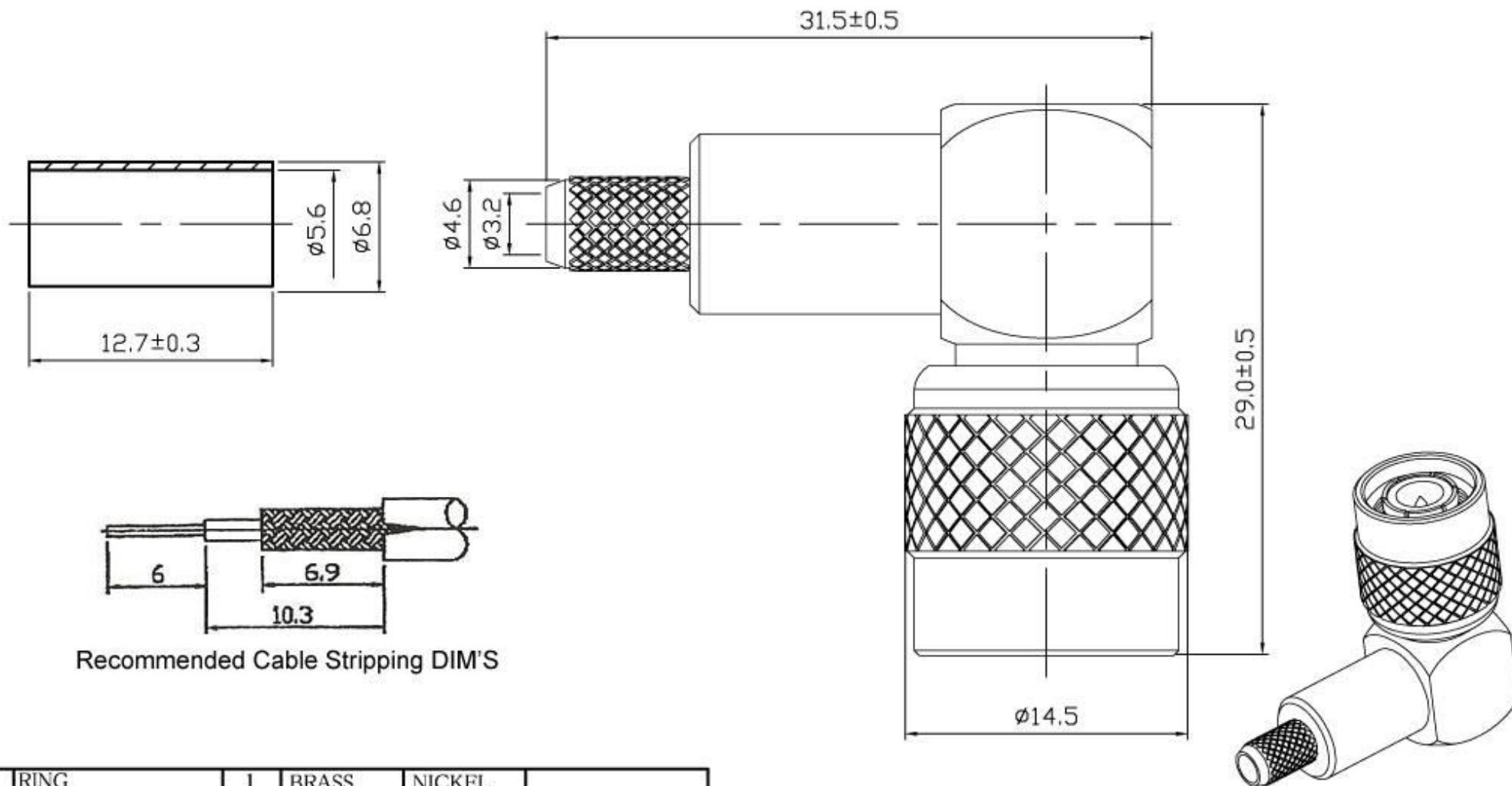


ROHS COMPLIANCE

DATE	DESCRIPTION	REV
12.09.07	NEW RELEASE	A



Recommended Cable Stripping DIM'S

9	RING	1	BRASS	NICKEL	
8	GASKET	1	PVC	RED	
7	WASHER	1	STEEL	NICKEL	
6	SPRING	1	SK-5	NICKEL	
5	WASHER	1	STEEL	NICKEL	
4	INSULATOR	1	POM	WHITE	
3	PIN	1	BRASS	GOLD	
2	BODY	1	BRASS	NICKEL	
1	SHELL	1	BRASS	NICKEL	
NO	Description	Q'ty	Material	Finish	Part Number

UNLESS OTHERWISE SPECIFIED 1. REMOVE ALL BURRS. 2. BREAK ALL CONNERS & EDGES CO. 15 MAX. 3. CHAMFER 1ST & LAST THREADS 45°. 4. DIAMETERS ON COMMON CENTERS. TO BE CONCENTRIC WITHIN 0.01 T. I. R. 5. ALL DIMENSIONS ARE AFTER PLATING.	MAJOR DIMENSIONS	APPROVED BY
	UNLESS OTHERWISE NOTED TOLERANCES	CHECKED BY
	0.5-6±0.2	DRAWING BY
	6-30±0.4 30-120±0.6 ANGLES±5°	<i>Sheng</i>
SCALE 4/1	UNIT MM	DATE 2012/09/07

DRAWING NO	M57713L	
TITLE	TNC MALE CRIMP FOR RG/58U	REV. A
PLU010870	www.pewtronic.cz	

DO NOT SCALE DRAWING