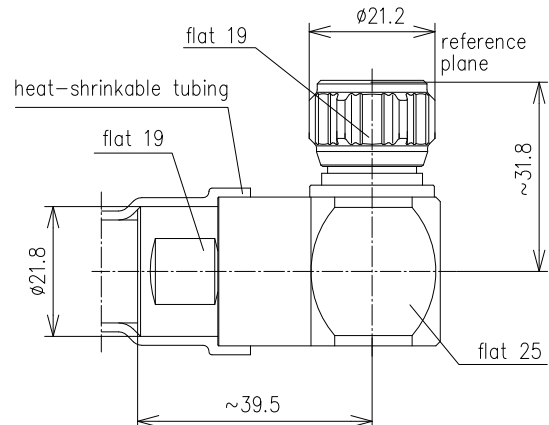


DATA SHEET

RIGHT ANGLE CABLE PLUG FOR LF 1/2"-50-TYPE N



<b>Part number</b>	<b>BN 87 01 87</b>			
Connector type	N plug			
Version	CAF®			
Impedance	50 $\Omega$			
Frequency range	0 - 1 GHz	1 - 2 GHz	2 - 2.7 GHz	2.7 - 3.8 GHz
VSWR	$\leq 1.04$	$\leq 1.06$	$\leq 1.08$	$\leq 1.1$
Material and surface				
Inner conductor	copper alloy		silver-plated	
Outer conductor	copper alloy		silver-plated	
Other metal parts	copper alloy		bright nickel-plated	
Insulation	PTFE			
Sealing	silicone rubber, EPDM, heat-shrinkable adhesive tubing			
Degree of protection	IP68 (mated)			
Cable compatibility	RFS	LCF 12-50		
Standards	IEC 61169-16			
Installation instructions	M30749			
Weight	approx. 0.16 kg			
Included in delivery	sealing, installation instructions			