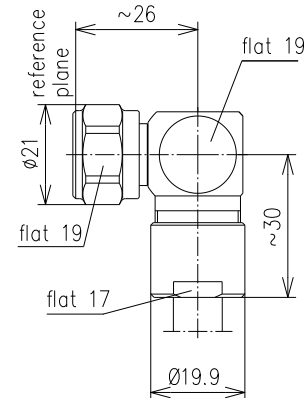


DATA SHEET

RIGHT ANGLE CABLE PLUG TYPE N



| | | | | | |
|---------------------------|--------------------------------------|-------------|----------------------|-------------|------------|
| Part number | BN 94 50 61 | | | | |
| Connector type | N plug | | | | |
| Version | clamped | | | | |
| Impedance | 50 Ω | | | | |
| Frequency range | 0 - 0.5 GHz | 0.5 - 1 GHz | 1 - 2 GHz | 2 - 4 GHz | 4 - 6 GHz |
| VSWR | ≤ 1.02 | ≤ 1.04 | ≤ 1.06 | ≤ 1.11 | ≤ 1.3 |
| Material and surface | | | | | |
| Inner conductor | copper alloy | | gold-plated | | |
| Outer conductor | copper alloy | | silver-plated | | |
| Other metal parts | copper alloy | | bright nickel-plated | | |
| Insulation | PTFE | | | | |
| Sealing | silicone rubber, EPDM | | | | |
| Degree of protection | IP68 (mated) | | | | |
| Cable compatibility | cable series RG 8 (cable group 0015) | | | | |
| Standards | IEC 61169-16 | | | | |
| Installation instructions | M30721 | | | | |
| Weight | approx. 0.084 kg | | | | |
| Included in delivery | installation instructions | | | | |