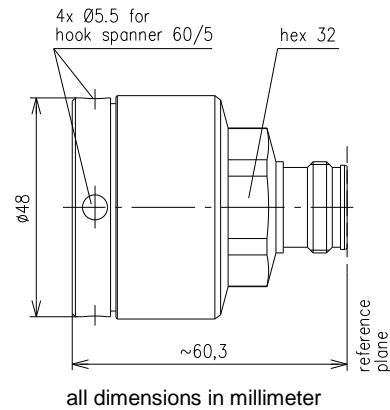


## DATA SHEET

## Cable Socket for LF 1 1/4"-50, Type 4.3-10 || BN 431020



Interface type	4.3-10 socket (50 Ω) per IEC 61169-54	
Version	MultiFit	
Frequency range	DC to 3.3 GHz	
VSWR, max. / typ.	1.02 @ DC to 1.0 GHz 1.03 @ 1.0 to 2.2 GHz 1.06 @ 2.2 to 2.7 GHz 1.08 @ 2.7 to 3.3 GHz	
Inner conductor material / surface finish	copper alloy / silver plated	
Outer conductor material / surface finish	copper alloy / silver plated copper alloy / CuSnZn plated	
Other metal parts / surface finish	copper alloy / Sn plated copper alloy / CuSnZn plated	
Insulation	PTFE	
Sealing	silicone rubber	
IP protection level	IP68 per EN 60529 (interface connected with appropriate gasket)	
Cable compatibility	SPINNER Acome Andrew Draka Eupen Hansen Leoni LS Cable RFS	SPINNERFlex™ LF 1 1/4"-50 HPL50-1 1/4 F LDF6-50, AVA6-50 RFA 1 1/4"-50 EC6-50-A, EC6-50-HF RF 50 1 1/4" FlexLine 1 1/4" R Low Loss, FlexLine 1 1/4" R LHF 33D Low Loss, HFC 33D Flexible Foam LCFS 114-50 A, LCFS 114-50 L, UCF 114-50 A, UCF 114-50 L
Installation instructions / Product manual	M32127	
Weight, approx.	290 g	
Scope of delivery	installation instructions	