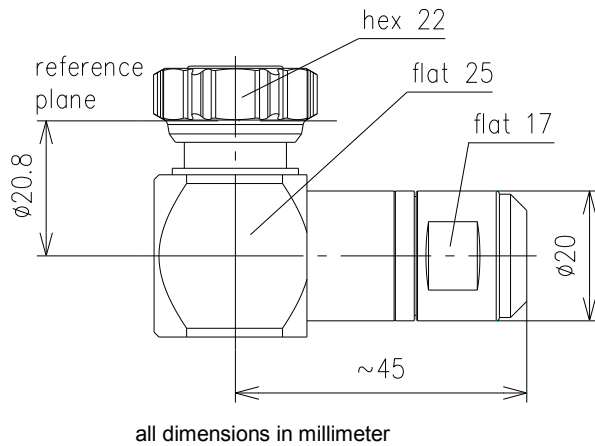


## DATA SHEET

## Right Angle Cable Plug for SF 1/2"-50, Type 4.3-10 || BN 431174



Interface type	4.3-10 plug screw (50 Ω) per IEC 61169-54	
Version	MultiFit™	
VSWR, max.	1.04 @ DC to 1 GHz 1.06 @ 1 to 2.7 GHz 1.13 @ 2.7 to 3.8 GHz	
Frequency range	DC to 3.8 GHz	
Inner conductor material / surface finish	copper alloy / silver plated	
Outer conductor material / surface finish	copper alloy / CuSnZn plated	
Other metal parts / surface finish	copper alloy / bright nickel plated	
Insulation	PTFE	
Sealing	silicone rubber	
IP protection level	IP68 per EN 60529 (barrier and mating face sealed)	
Cable compatibility	Spinner	SPINNERFlex™ SF1/2"-50
	Acome	HPL50-1/2SF
	Andrew	FSJ4-50B
	Draka	RFF 1/2"-50
	Eupen	EC4-50-HF
	Hansen	RF 50 1/2"S
	Hengxin	HRCAY-50-9
	Leoni	FlexLine 1/2" S
	LS Cables	HFSC 12D
	RFS	SCF 12-50
Installation instructions	M32106	
Weight, approx.	160 g	
Scope of delivery	installation instructions	