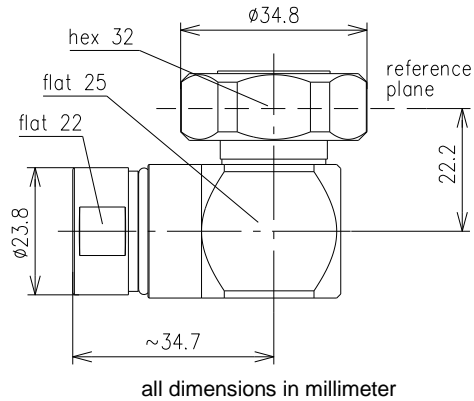


DATA SHEET

Right Angle Cable Plug for LF 1/2"-50, Type 7-16 || BN 854316



Interface type	7-16 plug (50 Ω) per IEC 61169-4	
Version	MultiFit	
Frequency range	DC to 3.8 GHz	
VSWR, max. / typ.	1.03 @ DC to 1.0 GHz 1.06 @ 1.0 to 2.7 GHz 1.10 @ 2.7 to 3.8 GHz	
Inner conductor material / surface finish	copper alloy / silver plated	
Outer conductor material / surface finish	copper alloy / CuSnZn plated copper alloy / CuSnZn plated	
Other metal parts / surface finish	copper alloy / Sn plated copper alloy / CuSnZn plated copper alloy / nickel plated	
Insulation	PTFE	
Sealing	silicone rubber, EPDM	
IP protection level	IP68 per EN 60529 (interface connected with appropriate gasket)	
Cable compatibility	SPINNER Acome Andrew Draka Eupen Hansen Hengxin Leoni LS Cable RFS	SPINNERFlex™ LF1/2"-50 HPL50-1/2F LDF4-50A RFA 1/2"-50 EC4-50 RF 50 1/2" HCAAY-50-12 FlexLine 1/2" R HFC 12D Flexible Foam LCF12-50, LCF12-50 L
Installation instructions / Product manual	M32130	
Weight, approx.	200 g	
Scope of delivery	installation instructions	