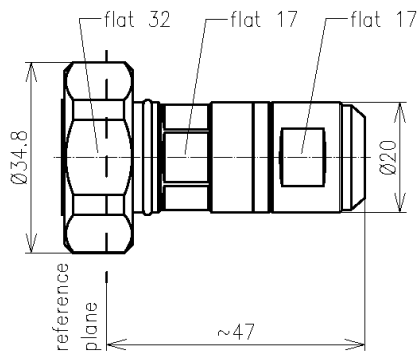


DATA SHEET

Cable Plug for SF1/2", Type 7-16 || BN 847371



all dimensions in millimeter

Interface type	7-16 plug (50 Ω) per IEC 61169-4	
Version	MultiFit	
Frequency range	DC to 6 GHz	
VSWR, max. / typ.	1.02 @ DC to 1.0 GHz 1.03 @ 1.0 to 2.7 GHz 1.06 @ 2.7 to 3.8 GHz 1.14 @ 3.8 to 6.0 GHz	
Inner conductor material / surface finish	copper alloy / silver plated	
Outer conductor material / surface finish	copper alloy / CuSnZn plated	
Other metal parts / surface finish	copper alloy / nickel plated	
Insulation	PTFE	
Sealing	silicone rubber, EPDM	
IP protection level	IP68 per EN 60529 (barrier and mating face sealed)	
Cable compatibility	SPINNER Acome Andrew Draka Eupen Hansen Hengxin Leoni LS Cable RFS	SPINNERFlex™ SF1/2"-50 HPL50-1/2 SF FSJ4-50 B RFF 1/2"-50 EC4-50-HF RF 50 1/2" S HCAY-50-9 FlexLine 1/2" S HFSC 12 D SCF 12-50
Installation instructions / Product manual	M32106	
Weight, approx.	100 g	
Scope of delivery	installation instructions	