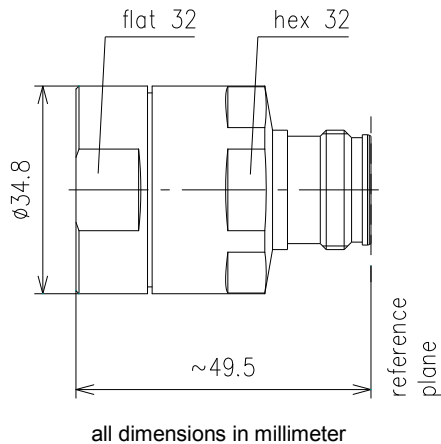


DATA SHEET

Cable Socket for LF 7/8"-50, Type 4.3-10 || BN 431002 / PLU010728



| | | |
|---|--|---|
| Interface type | 4.3-10 socket (50 Ω) per IEC 61169-54 | |
| Version | MultiFit™ | |
| Frequency range | DC to 3.8 GHz | |
| VSWR, max. | 1.02 @ DC to 1 GHz 1.03 @ 1 to 2.7 GHz 1.08 @ 2.7 to 3.8 GHz | |
| Inner conductor material / surface finish | copper alloy / silver plated | |
| Outer conductor material / surface finish | copper alloy / CuSnZn plated | |
| Other metal parts / surface finish | copper alloy / Sn plated copper alloy / CuSnZn plated | |
| Insulation | PTFE | |
| Sealing | silicone rubber | |
| Degree of protection | IP68 per EN 60529 (interface connected with appropriate gasket) | |
| Cable compatibility | Spinner Acome Andrew Draka Eupen Hansen Hengxin Leoni LS Cables RFS | SPINNERFlex™ LF7/8"-50 HPL50-7/8 ALU, HPL50-7/8 F, HPL50-7/8 LA AL5-50, AVA5-50, VXL5-50 RFA 7/8"-50, RFA 7/8"-50 AL, RFE 7/8"-50 EA5-50 Aluminum, EC5-50-A, EC5-50-HF RF 50 7/8" HCTAY-50-22 FlexLine 7/8" R Low Loss LHF 22D, HFC 22D LCF 78-50 A, LCF 78-50 L, UCF 78-50 A, UCF 78-50 L |
| Installation instructions | M32110 | |
| Weight, approx. | approx. 0.175 kg | |
| Included in delivery | cutting guide, installation instructions | |