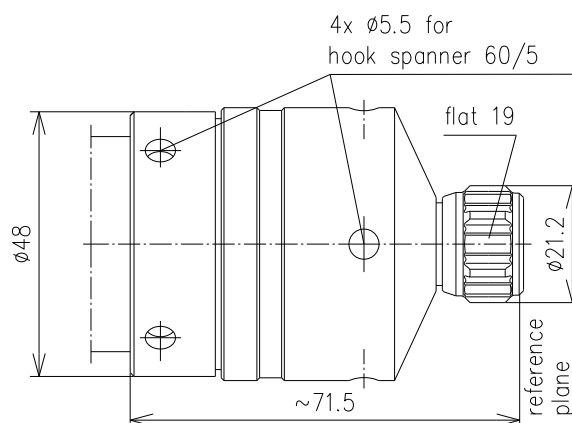


## DATA SHEET

## CABLE PLUG FOR LF 1 1/4"-50-TYPE N



|                           |                                    |                             |                      |                      |
|---------------------------|------------------------------------|-----------------------------|----------------------|----------------------|
| <b>Part number</b>        | <b>BN 70 67 43</b>                 |                             |                      |                      |
| Connector type            | N plug                             |                             |                      |                      |
| Version                   | CAF®                               |                             |                      |                      |
| Impedance                 | 50 $\Omega$                        |                             |                      |                      |
| Frequency range           | 0 - 1 GHz                          | $\leq 1 - 2.2$ GHz          | $\leq 2.2 - 2.7$ GHz | $\leq 2.7 - 3.3$ GHz |
| VSWR                      | $\leq 1.02$                        | $\leq 1.04$                 | $\leq 1.06$          | $\leq 1.08$          |
| Material and surface      |                                    |                             |                      |                      |
| Inner conductor           | copper alloy                       |                             | silver-plated        |                      |
| Outer conductor           | copper alloy                       |                             | silver-plated        |                      |
| Other metal parts         | copper alloy                       |                             | bright nickel-plated |                      |
| Insulation                | PTFE                               |                             |                      |                      |
| Sealing                   | silicone rubber                    |                             |                      |                      |
| Degree of protection      | IP68 (mated)                       |                             |                      |                      |
| Cable compatibility       | RFS                                | UCF 114-50 A, LCFS 114-50 A |                      |                      |
| Standards                 | IEC 61169-16                       |                             |                      |                      |
| Installation instructions | M32061                             |                             |                      |                      |
| Weight                    | approx. 0.42 kg                    |                             |                      |                      |
| Included in delivery      | sealing, installation instructions |                             |                      |                      |