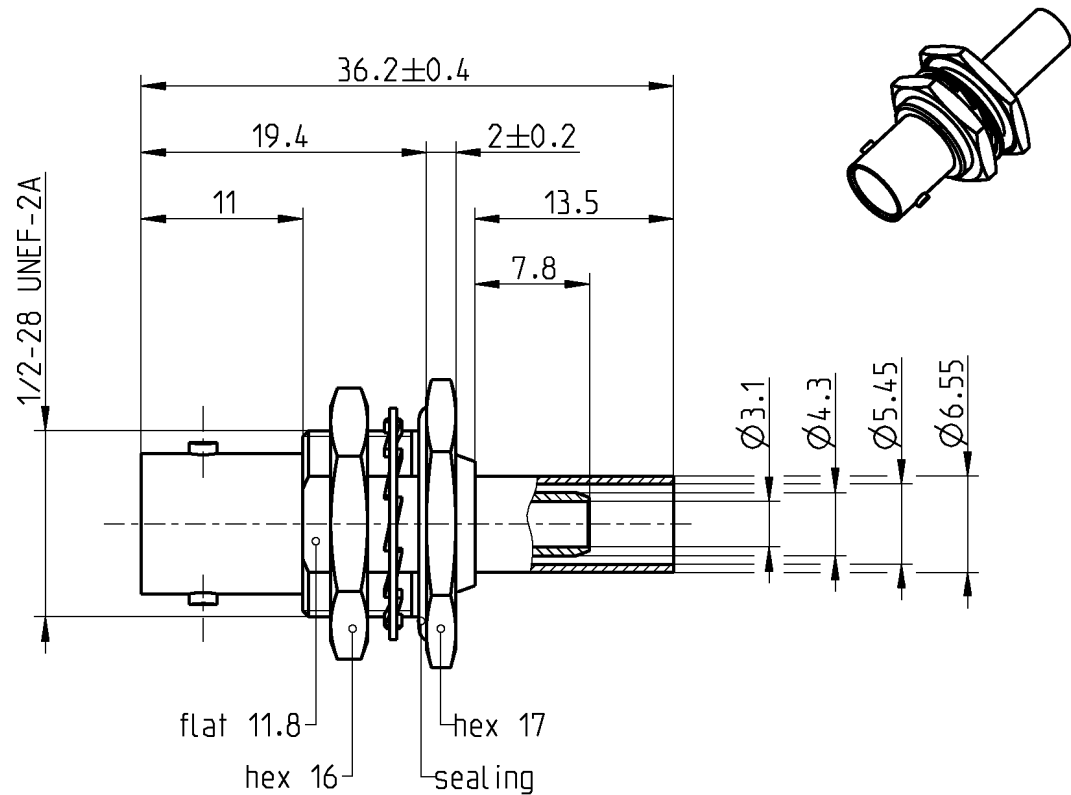


TECHNICAL DATA SHEET

Rosenberger

BNC 50 Ω BULKHEAD JACK

51K607-106N5

All dimensions are in mm; tolerances according to ISO 2768 m-H

Interface

According to

IEC 60169-8, MIL-PRF-39012, CECC 22120

Documents

Assembly instruction

51 P10

Panel piercing

B 3

Material and plating**Connector parts**

Center contact

Material

CuBe

Outer contact

Brass

Body

Brass

Dielectric

PTFE

Gasket

Silicone

Crimping ferrule

Copper

Plating

AuroDur®, gold plated

Flash white bronze over silver(e.g. Optargen®)

Flash white bronze over silver(e.g. Optargen®)

Flash white bronze over silver(e.g. Optargen®)

TECHNICAL DATA SHEET

Rosenberger

BNC 50 Ω BULKHEAD JACK

51K607-106N5**Electrical data**

Impedance	50 Ω
Frequency	DC to 10 GHz
Return loss	≥ 24 dB, DC to 1 GHz ≥ 20 dB, 1 to 6 GHz
Insertion loss	≤ 0.05 x \sqrt{f} [GHz] dB, DC to 8 GHz
Insulation resistance	≥ 5 x10 ³ MΩ
Center contact resistance	≤ 1.5 mΩ
Outer contact resistance	≤ 1 mΩ
Test voltage	1500 V rms
Working voltage	400 V rms
Power handling (at 20 °C, sea level, VSWR 1.0)	≤ 80 W @ 2 GHz

*- Limitations are possible due to the used cable type -***Mechanical data**

Mating cycles	min. 500
Center contact captivation: axial	≥ 15 N

Environmental data

Temperature range	-55°C to +155°C
Thermal shock	MIL-STD-202, Meth. 107, Cond. B
Corrosion	MIL-STD-202, Meth. 101, Cond. B
Vibration	MIL-STD-202, Meth. 204, Cond. B
Shock	MIL-STD-202, Meth. 213, Cond. G
Moisture resistance	MIL-STD-202, Meth. 106
RoHS	compliant

Tooling

Crimping tool	11W150-000
Crimp insert	11W150-208

Suitable cables

RG 141 /U, RG 58 C/U

Weight

Weight	17.6 g/pce
--------	------------

While the information has been carefully compiled to the best of our knowledge, nothing is intended as representation or warranty on our part and no statement herein shall be construed as recommendation to infringe existing patents. In the effort to improve our products, we reserve the right to make changes judged to be necessary.

Draft	Date	Approved	Date	Rev.	Engineering change number	Name	Date
Chr. Entsfellner	16.07.08	Sa. Krautenbacher	17.03.14	g00	14-0352	T. Krojer	17.03.14
Rosenberger Hochfrequenztechnik GmbH & Co. KG P.O.Box 1260 D-84526 Tittmoning Germany www.rosenberger.de					Tel.: +49 8684 18-0 Fax: +49 8684 18-499 email: info@rosenberger.de		Page 2 / 2

Mouser Electronics

Authorized Distributor

Click to View Pricing, Inventory, Delivery & Lifecycle Information:

[Rosenberger:](#)

[51K607-106N5](#)