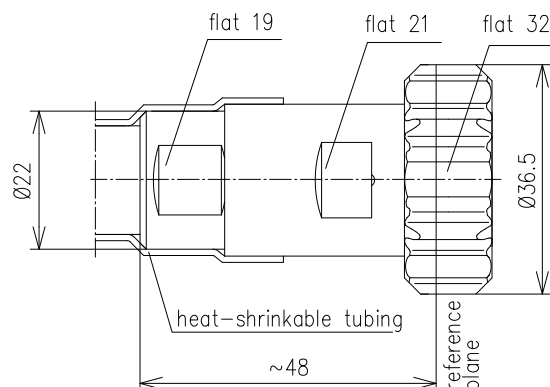


DATA SHEET

CABLE PLUG FOR LF 1/2"-50-TYPE 7-16



Part number	BN 84 73 89 / PLU010717			
Connector type	7-16 plug			
Version	CAF®			
Impedance	50 Ω			
Frequency range	0 - 1 GHz	1 - 2.7 GHz	2.7 - 3.8 GHz	3.8 - 6 GHz
VSWR	≤ 1.02	≤ 1.03	≤ 1.06	≤ 1.1
Material and surface				
Inner conductor	copper alloy		silver-plated	
Outer conductor	copper alloy		silver-plated	
Other metal parts	copper alloy		bright-nickel-plated	
Insulation	PTFE, PE			
Sealing	silicone rubber, EPDM, heat-shrinkable adhesive tubing			
Degree of protection	IP68 (mated)			
Cable compatibility	RFS	LCF 12-50		
Standards	IEC 61169-4			
Installation instructions	M30749			
Weight	approx. 0.15 kg			
Included in delivery	sealing, installation instructions			