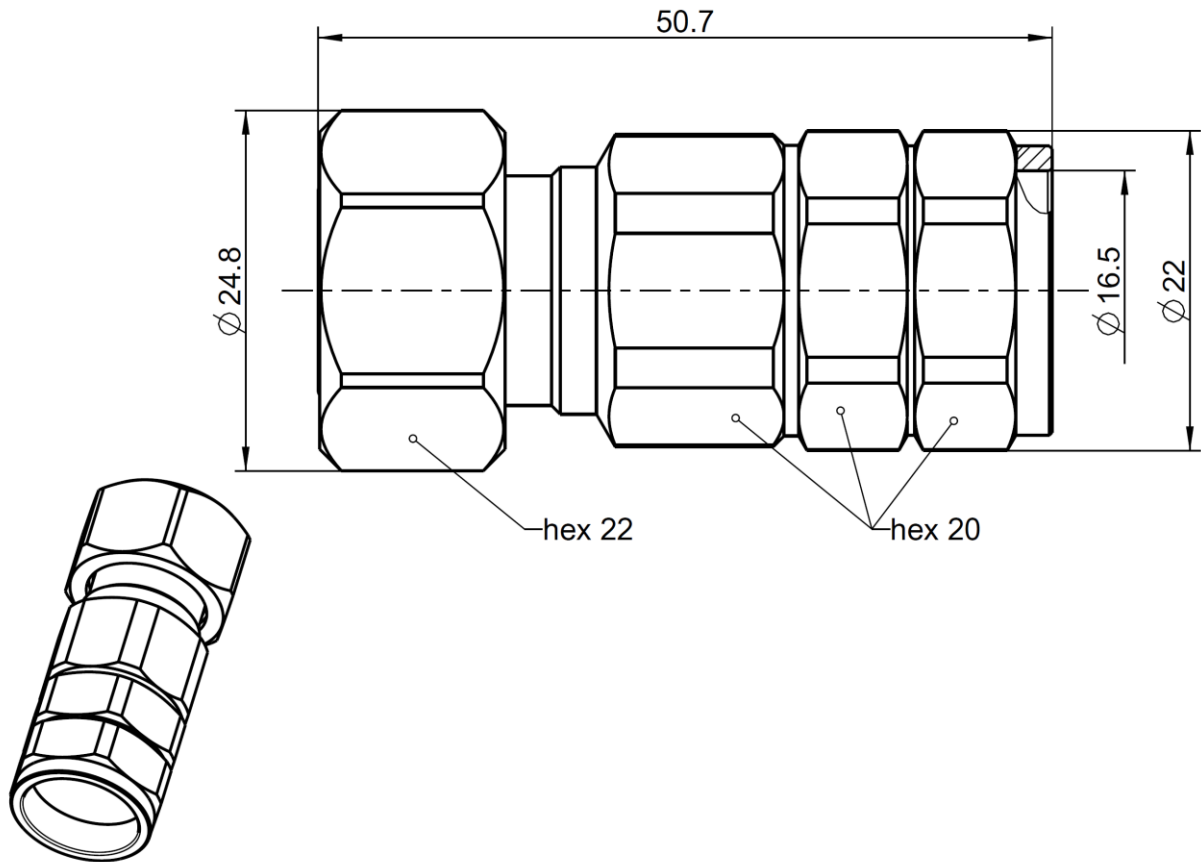


## Technical Data Sheet

**Rosenberger**

4.3-10

Straight Plug

**64S1C7-C03N1**

All dimensions are in mm; tolerances according to ISO 2768 m-H

**Interface**

According to IEC 61169-54

**Documents**

Assembly instruction 1C7-C03

**Material and plating****Connector parts**

Center contact	<b>Material</b>	CuBe
Outer contact		Brass
Body		Brass
Dielectric		PTFE
Gasket		Silicone

**Plating**

Silver, 3-6  $\mu\text{m}$   
 Flash white bronze over silver(e.g. Optargen®)  
 Flash white bronze over silver(e.g. Optargen®)

## Technical Data Sheet

**Rosenberger**

4.3-10

Straight Plug

**64S1C7-C03N1****Electrical data**

Impedance	50 Ω
Frequency	DC to 12 GHz
Return loss	≥ 35 dB @ DC to 3 GHz ≥ 30 dB @ 3 GHz to 4 GHz ≥ 28 dB @ 4 GHz to 6 GHz
Insertion loss	≤ 0.05 x $\sqrt{f}$ [GHz] dB
Insulation resistance	≥ 5 GΩ
Center contact resistance	≤ 1.0 mΩ
Outer contact resistance	≤ 1.0 mΩ
Test voltage	2500 V rms
Working voltage	500 V rms
RF-leakage	≥ 110 dB @ DC to 6 GHz
Power handling (at 90 °C, altitude 3000m)	500 W @ 2.0 GHz
Intermodulation (3 <sup>rd</sup> order)	≥ 160 dBc (2 x 46 dBm) @ 0.4 – 4.0 GHz ≥ 166 dBc (2 x 43 dBm) @ 0.4 – 4.0 GHz

- Limitations are possible due to the used cable type –  
-RL value only valid for the interface-

**Mechanical data**

Mating cycles	≥ 100
Center contact captivation: axial	> 30 N
radial	> 5 Ncm
Center contact retention force	1.5 - 20 N
Outer contact retention force	4 - 35 N
Recommended torque	5 Nm

**Environmental data**

Temperature range	-55 °C to +90 °C operating temperature
Thermal shock	IEC 61169-1 9.4.4
Corrosion resistance	ISO 21207 method B
Vibration	IEC 61169-1 9.3.3 and IEC 60068-2-64
Shock	IEC 61169-1 9.3.14
Degree of protection (mated pair)	IEC 60529, IP68 1h / 25m
RoHS	compliant

**Tooling**

N/A

**Suitable cables**

Flexline 1/2"R and similar

**Weight**

Weight 59.2 g/pce

While the information has been carefully compiled to the best of our knowledge, nothing is intended as representation or warranty on our part and no statement herein shall be construed as recommendation to infringe existing patents. In the effort to improve our products, we reserve the right to make changes judged to be necessary.

For the installation of the electrotechnical equipment, particular electrotechnical expertise is required.



Draft	Date	Approved	Date	Rev.	Engineering change number	Name	Date
F. Fraunhofer	15.07.13	Chr. Janßen	09.06.21	b00	20-1927	S. Huber-Siegl	09.06.21
Rosenberger Hochfrequenztechnik GmbH & Co. KG P.O.Box 1260 D-84526 Tittmoning Germany <a href="http://www.rosenberger.com">www.rosenberger.com</a>						Tel. : +49 8684 18-0 Email : <a href="mailto:info@rosenberger.com">info@rosenberger.com</a>	
						Page 2 / 2	