

Product Specifications

COMMScope®

POWERED BY


PLU010694
7-16 DIN Female to 7-16 DIN Female Adapter


General Specifications

Product Type	Adapter
Interface	7-16 DIN Female
Interface 2	7-16 DIN Female
Body Style	Straight
Mounting Angle	Straight

Electrical Specifications

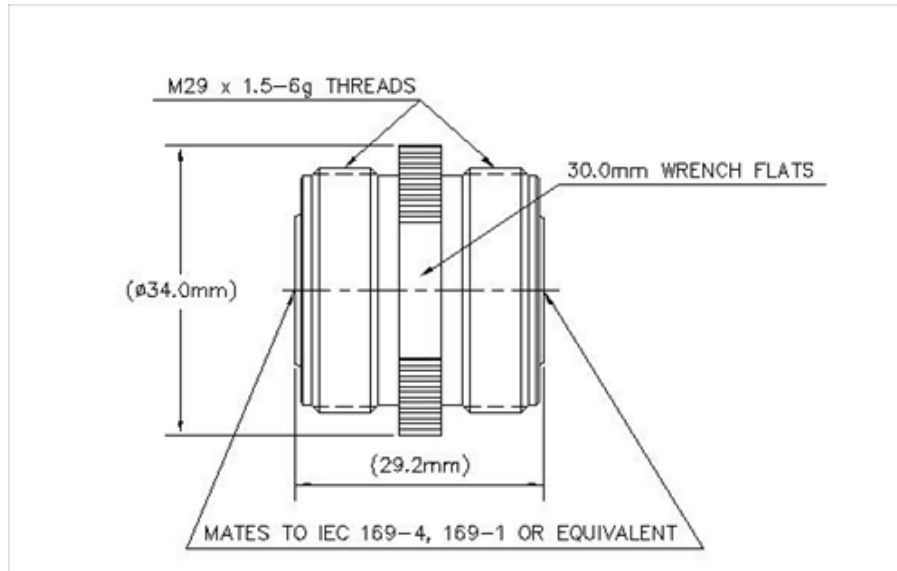
Connector Impedance	50 ohm
Operating Frequency Band	0 – 7500 MHz
RF Operating Voltage, maximum (vrms)	1200.00 V
dc Test Voltage	4000 V
Outer Contact Resistance, maximum	1.50 mOhm
Inner Contact Resistance, maximum	0.40 mOhm
Insulation Resistance, minimum	10000 MOhm
Average Power	1300.0 W @ 900 MHz
Peak Power, maximum	28.80 kW

PLU010694

POWERED BY



Outline Drawing



Mechanical Specifications

Inner Contact Plating	Silver
Insertion Force	200.00 N 44.96 lbf
Insertion Force Method	IEC 61169-4:15.2.4
Interface Durability	500 cycles
Interface Durability Method	IEC 61169-4:9.5
Outer Contact Plating	Trimetal
Pressurizable	No

Dimensions

Diameter	34.00 mm 1.34 in
Length	29.20 mm 1.15 in
Weight	88.65 g 0.20 lb
Width	30.00 mm 1.18 in

Environmental Specifications

Operating Temperature	-55 °C to +85 °C (-67 °F to +185 °F)
Storage Temperature	-65 °C to +125 °C (-85 °F to +257 °F)
Mechanical Shock Test Method	IEC 60068-2-27
Climatic Sequence Test Method	IEC 60068-1
Damp Heat Steady State Test Method	IEC 60068-2-3
Thermal Shock Test Method	IEC 60068-2-14
Vibration Test Method	IEC 60068-2-6
Corrosion Test Method	IEC 60068-2-11

Product Specifications

COMMScope®

PLU010694

POWERED BY



Standard Conditions

Attenuation, Ambient Temperature	20 °C 68 °F
Average Power, Ambient Temperature	40 °C 104 °F
Average Power, Inner Conductor Temperature	100 °C 212 °F

Return Loss/VSWR

Frequency Band	VSWR	Return Loss (dB)
0–3000 MHz	1.06	30.71
3000–6000 MHz	1.06	30.71
6000–7500 MHz	1.12	24.94

Regulatory Compliance/Certifications

Agency	Classification
RoHS 2011/65/EU	Compliant by Exemption
China RoHS SJ/T 11364-2006	Above Maximum Concentration Value (MCV)
ISO 9001:2008	Designed, manufactured and/or distributed under this quality management system

