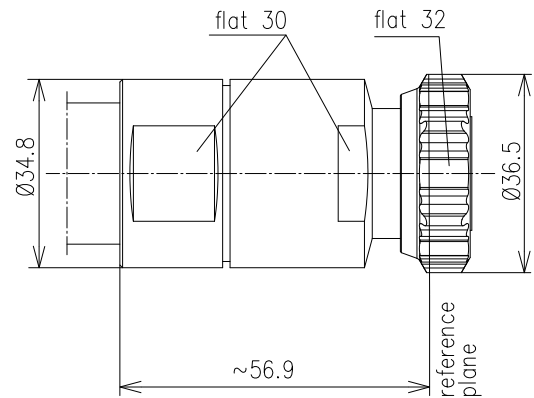


DATA SHEET

CABLE PLUG FOR LF 7/8"-50-TYPE 7-16



| | | | |
|---------------------------|------------------------------------|--------------------------|---------------|
| Part number | PLU010666 | | |
| Connector type | 7-16 plug | | |
| Version | CAF® | | |
| Impedance | 50 Ω | | |
| Frequency range | 0 - 1 GHz | 1 - 2.7 GHz | 2.7 - 3.8 GHz |
| VSWR | ≤ 1.02 | ≤ 1.03 | ≤ 1.06 |
| Material and surface | | | |
| Inner conductor | copper alloy | silver-plated | |
| Outer conductor | copper alloy | silver-plated | |
| Other metal parts | copper alloy | bright nickel-plated | |
| Insulation | PTFE | | |
| Sealing | silicone rubber | | |
| Degree of protection | IP68 (mated) | | |
| Cable compatibility | RFS | LCF 78-50 A, UCF 78-50 A | |
| Standards | IEC 61169-4 | | |
| Installation instructions | M32060 | | |
| Weight | approx. 0.22 kg | | |
| Included in delivery | sealing, installation instructions | | |