

Product Specifications



PLU010642

Type N Female Bulkhead for CNT 400 braided cable

General Specifications

Interface	N Female
Body Style	Bulkhead
Brand	CNT®

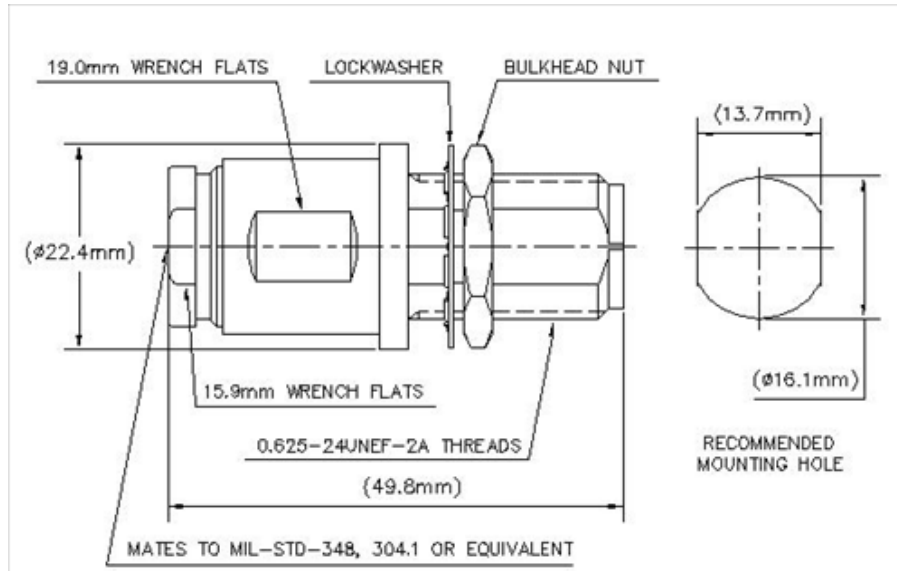
Electrical Specifications

Operating Frequency Band	0 – 6000 MHz
Cable Impedance	50 ohm
Connector Impedance	50 ohm
RF Operating Voltage, maximum (vrms)	707.00 V
dc Test Voltage	2500 V
Outer Contact Resistance, maximum	0.25 mOhm
Inner Contact Resistance, maximum	1.00 mOhm
Insulation Resistance, minimum	5000 MOhm
Average Power	580.0 W @ 900 MHz
Peak Power, maximum	10.00 kW
Insertion Loss, typical	0.05 dB

Product Specifications

PLU010642

Outline Drawing



Mechanical Specifications

Outer Contact Plating	Trimetal
Inner Contact Plating	Gold
Outer Contact Attachment Method	Clamp
Inner Contact Attachment Method	Captivated
Interface Durability	500 cycles
Interface Durability Method	IEC 61169 16:9.5
Connector Retention Tensile Force	330 N 74 lbf
Connector Retention Torque	0.75 N m 0.56 N m
Insertion Force	28.00 N 6.29 lbf
Insertion Force Method	IEC 61169 16:9.3.5
Pressurizable	No

Dimensions

Nominal Size	0.405 in
Diameter	22.35 mm 0.88 in
Length	49.78 mm 1.96 in
Weight	84.15 g 0.19 lb
Width	22.35 mm 0.88 in

Environmental Specifications

Operating Temperature	40 °C to +85 °C (40 °F to +185 °F)
Storage Temperature	65 °C to +125 °C (85 °F to +257 °F)
Immersion Depth	1 m

Product Specifications



PLU010642

Immersion Test Mating	Mated
Immersion Test Method	IEC 60529:2001, IP68
Mechanical Shock Test Method	IEC 60068 2 27
Climatic Sequence Test Method	IEC 60068 1
Damp Heat Steady State Test Method	IEC 60068 2 3
Thermal Shock Test Method	IEC 60068 2 14
Vibration Test Method	IEC 60068 2 6
Corrosion Test Method	IEC 60068 2 11

Standard Conditions

Attenuation, Ambient Temperature	20 °C 68 °F
Average Power, Ambient Temperature	40 °C 104 °F
Average Power, Inner Conductor Temperature	100 °C 212 °F

Return Loss/ VSWR

Frequency Band	VSWR	Return Loss (dB)
0–3000 MHz	1.03	38.20
3000–6000 MHz	1.09	27.00

Regulatory Compliance/ Certifications

Agency	Classification
RoHS 2011/65/EU	Compliant by Exemption
China RoHS SJ/T 11364 2006	Above Maximum Concentration Value (MCV)
ISO 9001:2008	Designed, manufactured and/or distributed under this quality management system



* Footnotes

Immersion Depth	Immersion at specified depth for 24 hours
Insertion Loss, typical	0.05v ⁻¹ freq (GHz) (not applicable for elliptical waveguide)