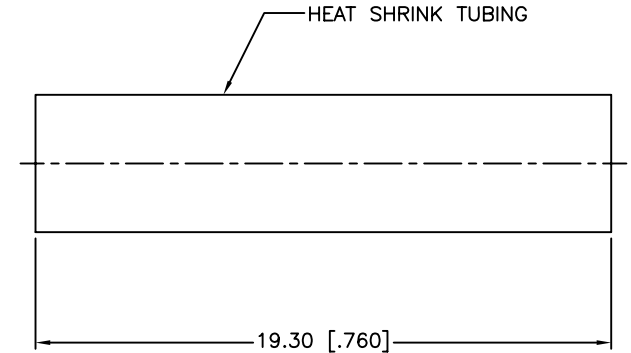
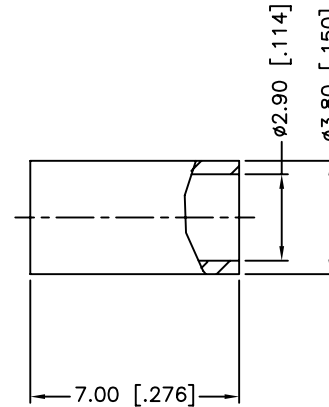
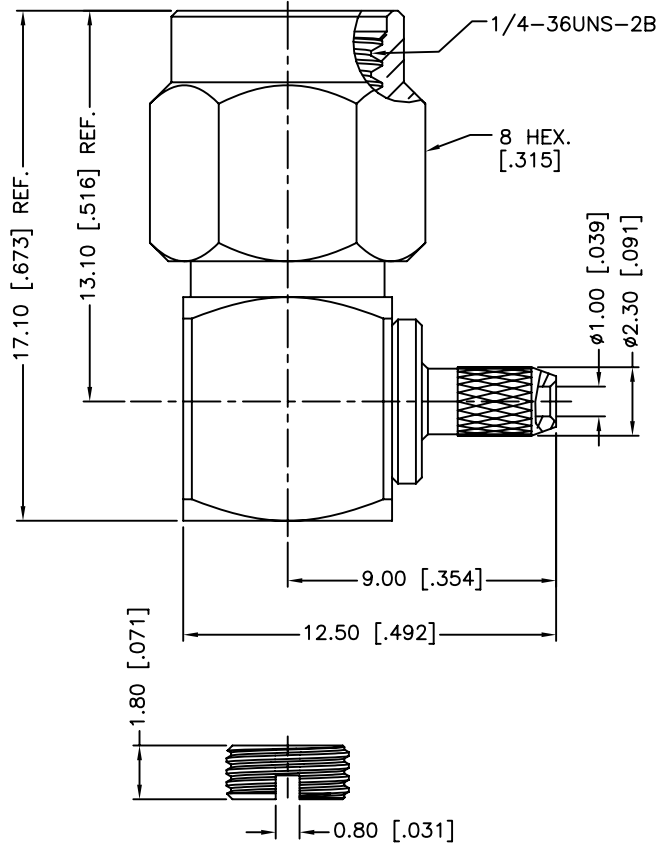
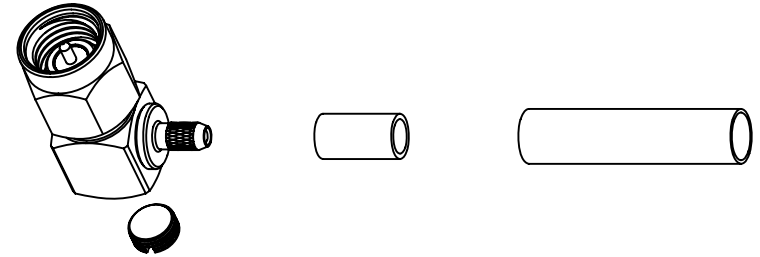


RECOMMENDED
CABLE STRIPPING DIM'S

REV.	DATE	ECR NO.	DESCRIPTION
NC	04/20/00	XXXXXX	INITIAL RELEASE
A	05/01/04	XXXXXX	UPDATE DRAWING FORMAT
B	03/06/14	2706	CHANGE THE BARREL O.D. TO 2.3MM, REPLACE FERRULE WITH LONGER VERSION, UPDATE DRAWING FORMAT



1. IMPEDANCE: 50 OHM
2. FREQUENCY RANGE: 0-3 GHZ
3. DIELECTRIC WITHSTANDING VOLTAGE: 500 VRMS, MIN.
4. DURABILITY: 500 CYCLES MIN.
5. TEMPERATURE RANGE: -65°C TO +165°C
6. CRIMPED FERRULE
HEX. CRIMP SIZE .128"
7. CONTACT PIN TO SOLDER

DESCRIPTION	MATERIAL	FINISH	QTY
9	HEAT SHRINK TUBING	BLACK	1
8	FERRULE	COPPER	GOLD
7	COVER	BRASS	GOLD
6	HOUSING WITH BARREL	BRASS	GOLD
5	CONTACT PIN	BRASS	GOLD
4	INSULATOR	PTFE	NATURAL
3	RETAINER RING	SUS 304	NATURAL
2	GASKET	SILICONE RUBBER	RED
1	SHELL	BRASS	GOLD

UNLESS OTHERWISE SPECIFIED DIMENSIONS ARE IN MILLIMETERS. DIMENSIONS IN [] ARE IN INCHES AND FOR CUSTOMER REFERENCE ONLY.
UNLESS OTHERWISE SPECIFIED
TOLERANCES FOR MILLIMETERS ARE:
 <math>< .05 \pm 0.05\text{mm}</math>
 0.5 - 6mm $\pm 0.10\text{mm}</math>
 6 - 30mm $\pm 0.20\text{mm}</math>
 30 - 120mm $\pm 0.30\text{mm}</math>
 ANGLES $\pm 1^\circ$
 UNLESS OTHERWISE SPECIFIED
 TOLERANCES FOR INCHES ARE:
 <math>< .020 \pm 0.002''</math>
 .020 - .236 $\pm 0.004''</math>
 .236 - 1.180 $\pm 0.007''</math>
 1.180 - 4.724 $\pm 0.012''</math>
 ANGLES $\pm 1^\circ$
 DO NOT SCALE DRAWING$$$$$$

APPROVALS	DATE
DRAWN M.ZHANG	03/06/14
CHECKED	
ISSUED	
SHEET 1 OF 1	
CAD FILE	C:/CONNEX/132173.DWG

<h1>Amphenol Connex</h1>			
PART DESCRIPTION SMA R/A CRIMP PLUG (FOR RG-178B/U, 196A/U CABLE)			
PART NO.		132173 / PLU010637	
DWG. NO.	132173.DWG	REV.	B
SIZE	A	SCALE	NA

