

Product Specifications

PLU010622

7 16 DIN Female Positive Stop™ for 1 5/8 in cable



CHARACTERISTICS

General Specifications

Interface	7 16 DIN Female
Body Style	Straight
Brand	HELIAX® Positive Stop™
Mounting Angle	Straight

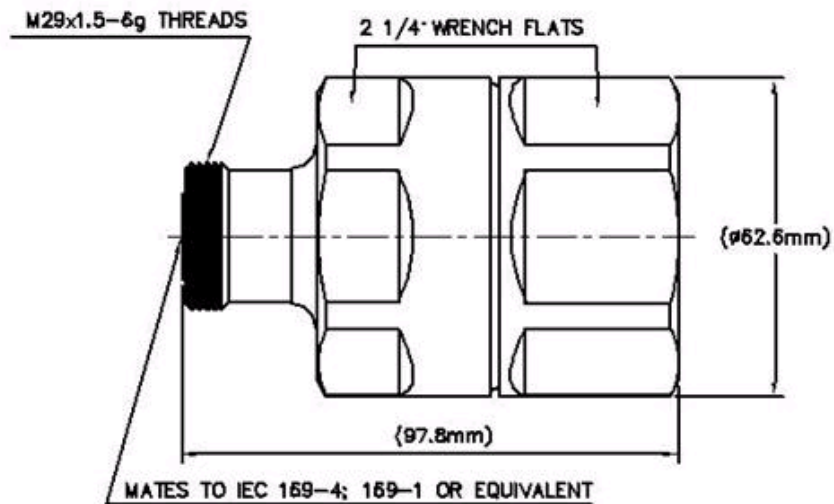
Electrical Specifications

Connector Impedance	50 ohm
Operating Frequency Band	0 – 2700 MHz
Cable Impedance	50 ohm
3rd Order IMD	120 dBm @ 910 MHz
3rd Order IMD Test Method	Two +43 dBm carriers
RF Operating Voltage, maximum (vrms)	1415.00 V
dc Test Voltage	4000 V
Outer Contact Resistance, maximum	1.50 mOhm
Inner Contact Resistance, maximum	0.80 mOhm
Insulation Resistance, minimum	5000 MOhm
Average Power	3.0 kW @ 900 MHz
Peak Power, maximum	40.00 kW
Insertion Loss, typical	0.05 dB
Shielding Effectiveness	130 dB

Product Specifications

PLU010622

Outline Drawing



Mechanical Specifications

Outer Contact Attachment Method	Ring flare
Inner Contact Attachment Method	Captivated
Outer Contact Plating	Trimetal
Inner Contact Plating	Silver
Attachment Durability	25 cycles
Interface Durability	50 cycles
Interface Durability Method	IEC 61169 4:9.5
Connector Retention Tensile Force	2224 N 500 lbf
Connector Retention Torque	13.56 N m 120.00 in lb
Insertion Force	200.17 N 45.00 lbf
Insertion Force Method	IEC 61169 1:15.2.4
Pressurizable	No

Dimensions

Nominal Size	1 5/8 in
Diameter	62.74 mm 2.47 in
Length	97.82 mm 3.85 in
Weight	722.00 g 1.59 lb

Environmental Specifications

www.commscope.com/andrew

Join the Evolution

©2010 CommScope, Inc. All rights reserved.

All trademarks identified by ® or ™ are registered trademarks or trademarks, respectively, of CommScope. All specifications are subject to change. See www.commscope.com/andrew for the most current information.

page 2 of 3
7/6/2010

Product Specifications



PLU010622

Operating Temperature	55 °C to +85 °C (67 °F to +185 °F)
Storage Temperature	55 °C to +85 °C (67 °F to +185 °F)
Immersion Depth	1 m
Immersion Test Mating	Unmated
Immersion Test Method	IEC 60529:2001, IP68
Water Jetting Test Mating	Unmated
Water Jetting Test Method	IEC 60529:2001, IP66
Moisture Resistance Test Method	MIL STD 202F, Method 106F
Mechanical Shock Test Method	MIL STD 202F, Method 213B, Test Condition C
Thermal Shock Test Method	MIL STD 202F, Method 107G, Test Condition A 1, Low Temperature 55 °C
Vibration Test Method	IEC 60068 2 6
Corrosion Test Method	MIL STD 1344A, Method 1001.1, Test Condition A

Standard Conditions

Attenuation, Ambient Temperature	20 °C 68 °F
Average Power, Ambient Temperature	40 °C 104 °F

Return Loss

Frequency Band	VSWR	Return Loss (dB)
45–1000 MHz	1.02	39.00
1010–2200 MHz	1.03	38.00
2210–2500 MHz	1.04	35.00

Regulatory Compliance/ Certifications

Agency	Classification
RoHS 2002/95/EC	Compliant by Exemption
China RoHS SJ/T 11364 2006	Above Maximum Concentration Value (MCV)



* Footnotes

Immersion Depth	Immersion at specified depth for 24 hours
Insertion Loss, typical	$0.05\sqrt{\text{freq}}$ (GHz) (not applicable for elliptical waveguide)