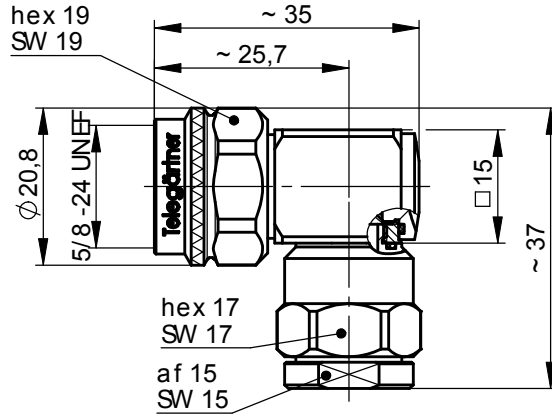


Alle Rechte vorbehalten / all rights reserved © Telegärtner KGärtner GmbH D-71144 Steinenbronn Lerchenstrasse 35 Germany Phone: +49 7157/125-0 Fax: +49 7157/125-120 www.telegaertner.com



Mechanical characteristics
cables

Mechanische Eigenschaften
Kabel

- (a) (b) G37 :
2.7/7.3 AF, 2.7/7.3 CF, 213CR17 LOW LOSS,
7810A, 9913, 9913F, C2FCP, C2FP, CNT-400,
EC 400, HPF 400, LMR-400, MCR 400 AFB,
SPEEDFOAM 400 HFJ, TZC 500 32, WBC-400, WC X400
- (a) G42 :
02Y (S) C (S) H 2.6/7.3 AF, 213RT5, 9914,
H 1000, H2000, RT 50/20
- (a) (b)
- (a) (b) Aircom Plus, RG-213/U, RG-214/U

interface dimensions acc. to
assembly code
centre conductor
outer conductor
mating life
coupling torque

Steckgesicht nach
Montageanleitung
Innenleiter
Außenleiter
Steckzyklen
Kupplungs Drehmoment

IEC 61169-16
D11
solder / Löt
clamp / Klemm
>500
4 - 6 Nm

Components
centre contact
other metal parts
insulator
gasket

Bauteile
Innenkontakt
sonstige Metallteile
Isolierung
Dichtung

Materials / Material
brass / Messing
brass / Messing
PTFE
silicone/ Silikon, NBR
Finish / Oberfläche
Cu2Ag5
CuSnZn3

Electrical characteristics
impedance
frequency
return loss

Elektrische Eigenschaften
Wellenwiderstand
Frequenz
Rückflussdämpfung

50
0 - 6 GHz
typ.: 1 GHz -32 dB; 2 GHz -25 dB; 4 GHz -18 dB

working voltage
voltage proof
insulation resistance
contact resistance
centre contact
outer contact

Betriebsspannung
Prüfspannung
Isolationswiderstand
Durchgangswiderstand
Innenkontakt
Außenkontakt

≤ 1kV_{eff} / 50 Hz
2.5 kV_{eff} / 50 Hz
≥ 5 G
≤ 1.5 m
≤ 1.0 m

Environmental
operating temp.
protection class
RoHS compliant

Umgebung
Betriebstemperatur
Schutzklasse
RoHS konform

-30°C / +100°C
IP 67 (IEC 60529)
2002/95/EC

| | | | | | | | | | | | | | |
|---|-------|----------|----|------------------------------------------------------------|--------------------------------------|----------------------------|---------------------------|----------------------------------------------|------------------------|--------------------------|--|--|-----------------------|
| b | 22003 | 09.07.10 | GB | 2009 | Datum/ date | Name/ name | Gewicht/ weight [g] | Oberfläche/ surface [mm ²] | Werkstoff/ material | | | | |
| | | | | gez/ drawn | 07.05. | GB | | | | | | | |
| | | | | a | 21949 | 21.06.10 | GB | gepr./ appr. | 12.05.09 | BJ | | | Oberfläche/ finish |
| | | | | Änd./ rev. index | Änderungsmittelung/ revision code | Datum/ date | Name/ name | Nom/ stand. | | | | | |
| | | | | Maßstab/ scale | Benennung/ title | | | | | | | | |
| | | | | 1:1 | N Angle Plug N-Kabelwinkelstecker | | | | | | | | |
| | | | | untol. Maße/ dim. without tolerances according to | Unterl./ doc. type | Zeichnungsnr./ drawing no. | | | | Maße/ dimensions: mm | | | |
| | | | | K | | | | | | | | | |
| | | | | | Ersatz für/ replaces | | | | | Original : DIN A4 | | | |
| | | | | | | | | | | Blatt/ sheet 1 von/ of 1 | | | |