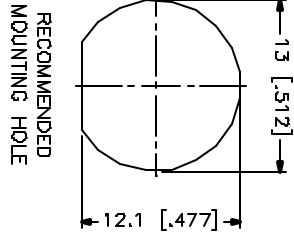
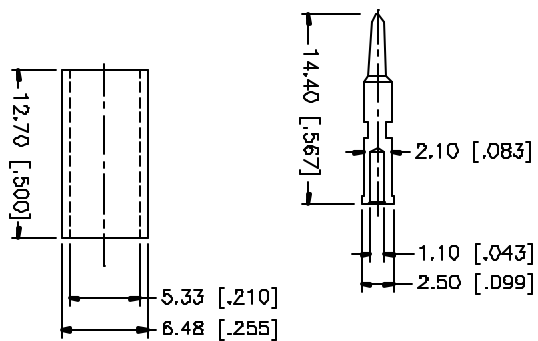
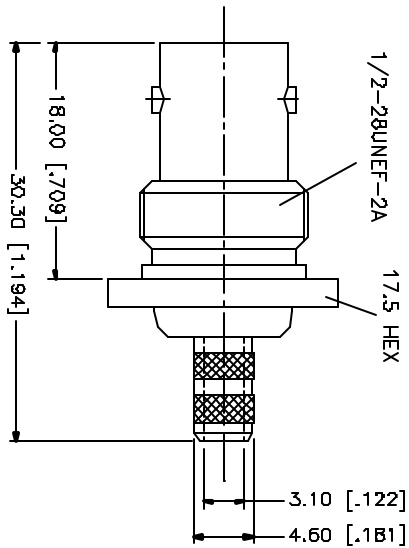
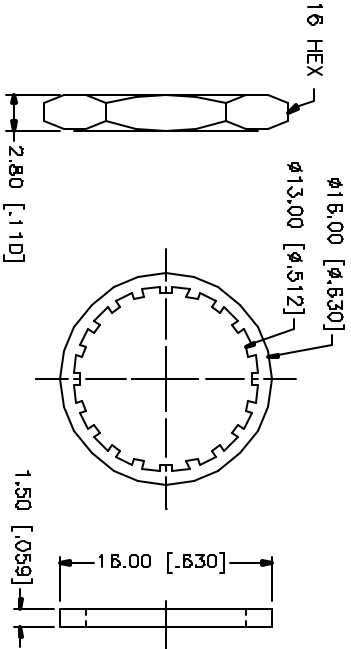
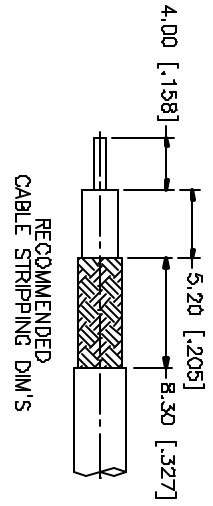


REV.	DATE	DESCRIPTION
A	11/27/02	MODIFY CONTACT PIN I.D. TO 1.1mm
B	08/15/04	REFORMAT DRAWING



- CRIMP NOTES:
1. CRIMPED FERRULE
HEX CRIMP SIZE .213"
 2. CRIMPED CONTACT PIN
HEX CRIMP SIZE .068"
 3. MAX. PANEL THICKNESS = 3.5mm

QTY	FINISH	MATERIAL	DESCRIPTION
1	NICKEL	COPPER	FERRULE
1	NICKEL	BRASS	HEX NUT
1	NICKEL	BRASS	LOCK WASHER
1	RED	RUBBER	GASKET
1	GOLD	BRASS	CONTACT PIN
1	NATURAL	TEFLON	INSULATOR
1	NICKEL	BRASS	BODY

APPROVALS	DATE
DRAWN G.R.S.	08/15/04
CHECKED	
RELEAD	
SHEET 1 OF 1	

UNITS: MILLIMETERS SPECIFIED DIMENSIONS ARE IN MILLIMETERS DIMENSIONS IN [] ARE IN INCHES AND FOR DIMENSIONS REFER TO THIS UNIT.
USING MILLIMETER SPECIFIED DIMENSIONS ARE IN MILLIMETERS DIMENSIONS IN [] ARE IN INCHES AND FOR DIMENSIONS REFER TO THIS UNIT.
USING INCHES SPECIFIED DIMENSIONS ARE IN INCHES DIMENSIONS IN [] ARE IN MILLIMETERS AND FOR DIMENSIONS REFER TO THIS UNIT.
USING MILLIMETER SPECIFIED DIMENSIONS ARE IN MILLIMETERS DIMENSIONS IN [] ARE IN INCHES AND FOR DIMENSIONS REFER TO THIS UNIT.
USING INCHES SPECIFIED DIMENSIONS ARE IN INCHES DIMENSIONS IN [] ARE IN MILLIMETERS AND FOR DIMENSIONS REFER TO THIS UNIT.

DO NOT SCALE DRAWING
DO NOT SCALE DRAWING

APPROVALS	DATE
DRAWN G.R.S.	08/15/04
CHECKED	
RELEAD	
SHEET 1 OF 1	

DESCRIPTION	REV. NO.	REV. NC	SIZE	SCALE
Amphenol Connex			A	NA