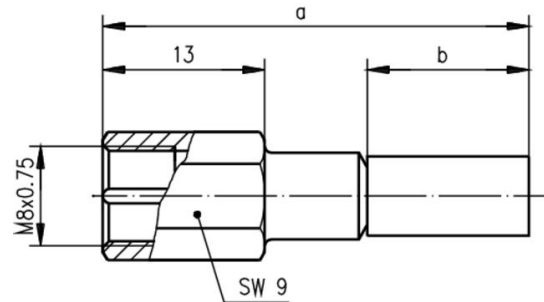


order number: PLU010595

FME Straight Plug Crimp G1 (RG-58C/U) crimp/crimp



Technical Attributes	
Cable group; cable	G1 (RG-58C/U) HPF 195 WCX195 RG-58C/U 9907 7806A LMR-195 KX 15 CNT-195
Assembly	B1205
Remarks	crimp/crimp
Dimensions	a=34.2, b=13
Crimp die	N01001A0005

Product description

The FME series is a miniature coax connector with screw coupling. The FME series can be used up to a frequency of 2 GHz. The impedance is controlled at 50 Ω. Connector styles are available for flexible and conformable cables. Solder and crimp techniques are used to terminate this series. Applications for the FME series are in the area of mobile communications, especially in vehicles due to their compact size and durability.

Mechanical Characteristics	
Durability (mating cycles)	≥ 500
Disengagement	≥0.5 N
Max. coupling torque	200 Ncm

Material: spring contacts	CuNi1Pb1P(C97)
Material: crimp ferrule	Cu
Material: other metal parts	CuZn39Pb3
Material: insulators	PP
Finish: Inner conductor	Cu2Ag5
Finish: Other metal parts	Cu2Ni5

Climatic Characteristics	
Climatic category acc. to IEC 60068 - 1	55/085/21

Electrical Characteristics	
Contact resistance inner conductor	$\leq 10 \text{ m}\Omega$
Contact resistance outer conductor	$\leq 5 \text{ m}\Omega$
Insulation resistance	$\geq 5 \text{ G}\Omega$
Voltage proof	1 kVeff/50 Hz
Impedance	50 Ω
Working voltage	$\leq 100 \text{ Veff/50 Hz}$
Insertion loss	$\leq 0.2 \text{ dB/1.8 GHz}$
Return loss	$\geq 20 \text{ dB/1.8 GHz}$
Frequency range up to	2 GHz