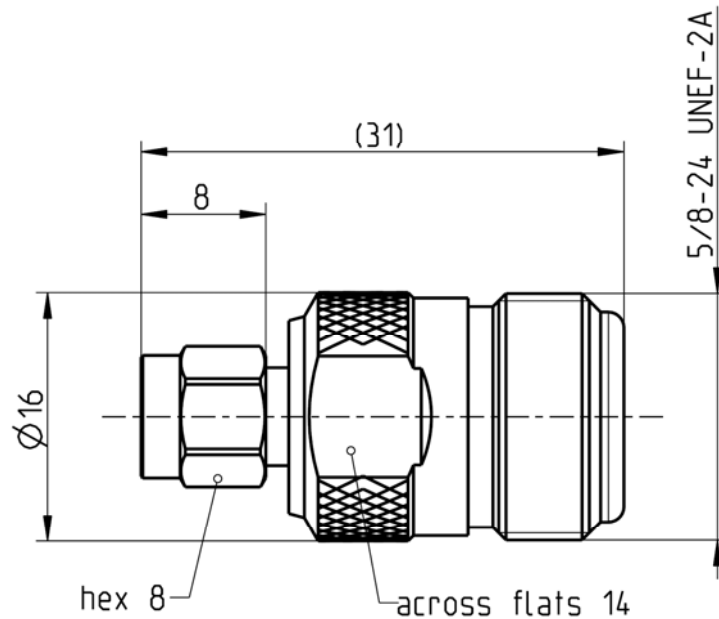


TECHNICAL DATA SHEET

ADAPTOR SMA PLUG – N JACK

www.pewtronic.cz
PLU010579



All dimensions are in mm; tolerances according to ISO 2768 m-H

Interface

According to SMA side: IEC 60169-15; EN 122110; MIL-STD-348A, Fig. 310
N side: IEC 60169-16, MIL-PRF-39012, CECC 22210

Documents

N/A

Material and plating

Connector parts

	Material
Center contact	CuBe
Outer contact SMA side	CuBe or equivalent
Outer contact N side	Brass
Dielectric	PTFE
Gasket	Silicone
Coupling nut SMA side	CuBe or equivalent

Plating

AuroDur®, gold plated
AuroDur®, gold plated
Nickel, 2.5-5 µm

Gold, 0.1 µm

TECHNICAL DATA SHEET

ADAPTOR SMA PLUG – N JACK

www.pewtronic.cz
PLU010579

Electrical data

Impedance	50	
Frequency	DC to 11 GHz	
VSWR	$1.05 + 0.005 \times f$ [GHz]	
Insertion loss	$0.04 \times \sqrt{f(\text{GHz})}$ dB	
Insulation resistance	5×10^3 M	
Center contact resistance	3 m , SMA side	1 m , N side
Outer contact resistance	2 m , SMA side	0.25 m , N side
Test voltage	1000 V rms	
Working voltage	480 V rms	
Power handling (at 20 °C, sea level, VSWR 1.0)	200 W @ 2 GHz	
RF-leakage	100 dB up to 1 GHz	

Mechanical data

	N side	SMA side
Mating cycles	min. 500	min. 500
Coupling nut retention	N/A	270 N
Center contact captivation: axial	28 N	28 N
Coupling test torque	max. 1.7 Nm	max. 1.7 Nm
Recommended torque	0.7 Nm to 1.1 Nm	0.8 Nm to 1.1 Nm

Environmental data

Temperature range	-55°C to +155°C
Thermal shock	MIL-STD-202, Meth. 107, Cond. B
Corrosion	MIL-STD-202, Meth. 101, Cond. B
Vibration	MIL-STD-202, Meth. 204, Cond. D
Shock	MIL-STD-202, Meth. 213, Cond. I
Moisture resistance	MIL-STD-202, Meth. 106
RoHS	compliant

Tooling

N/A

Suitable cables

N/A

Weight

Weight 28.7 g/pce

While the information has been carefully compiled to the best of our knowledge, nothing is intended as representation or warranty on our part and no statement herein shall be construed as recommendation to infringe existing patents. In the effort to improve our products, we reserve the right to make changes judged to be necessary.

Draft	Date	Approved	Date	Rev.	Engineering change number	Name	Date
Rong Fang	21/09/04	Sa. Krautenbacher	17.03.14	h00	14-0352	T. Krojer	17.03.14
Rosenberger Hochfrequenztechnik GmbH & Co. KG P.O.Box 1260 D-84526 Tittmoning Germany www.rosenberger.de					Tel.: +49 8684 18-0 Fax: +49 8684 18-499 email: info@rosenberger.de		Page 2 / 2