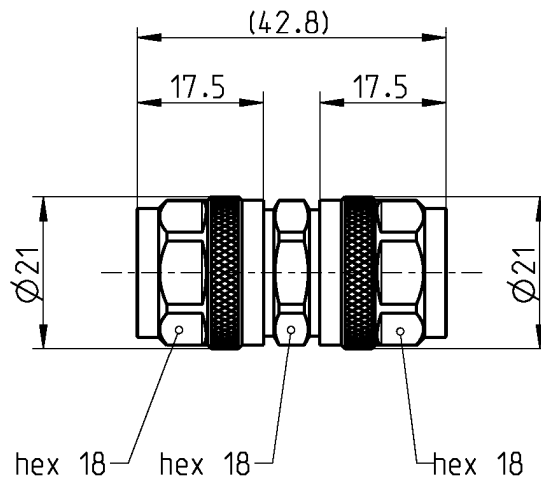


adaptor
N 50 Ω plug - plug

www.pewtronic.cz
PLU010578



All dimensions are in mm; tolerances according to ISO 2768 m-H

Interface

According to IEC 60169-16, MIL-PRF-39012, CECC 22210

Documents

N/A

Material and plating

Connector parts	Material	Plating
Center contact	Brass	AuroDur®, gold plated
Outer contact	Brass	Flash white bronze over silver(e.g. Optargen®)
Body	Brass	Flash white bronze over silver(e.g. Optargen®)
Dielectric	PTFE	
Gasket	Silicone	

adaptor
N 50 Ω plug - plug

www.pewtronic.cz
PLU010578

Electrical data

Impedance	50 Ω
Frequency	DC to 11 GHz
Return loss	≥ 30 dB, DC to 4 GHz ≥ 25 dB, 4 to 9 GHz
Insertion loss	≤ 0.1 x \sqrt{f} [GHz] dB
Insulation resistance	≥ 5 x 10 ³ MΩ
Center contact resistance	≤ 1 mΩ
Outer contact resistance	≤ 0.25 mΩ
Test voltage	2500 V rms
Working voltage	1400 V rms
Power handling (at 20 °C, sea level, VSWR 1.0)	1000 W @ 1 GHz 700 W @ 2 GHz
RF-leakage	≥ 128 dB up to 1 GHz
Intermodulation (3 rd order)	≤ -115 dBm @ 2 x 20 W

Mechanical data

Mating cycles	min. 500
Coupling nut retention	≥ 450 N
Center contact captivation: axial	≥ 28 N
Coupling test torque	max. 1.7 Nm
Recommended torque	0.7 Nm to 1.1 Nm

Environmental data

Temperature range	-55°C to +155°C
Thermal shock	MIL-STD-202, Meth. 107, Cond. B
Corrosion	MIL-STD-202, Meth. 101, Cond. B
Vibration	MIL-STD-202, Meth. 204, Cond. B
Shock	MIL-STD-202, Meth. 213, Cond. I
Moisture resistance	MIL-STD-202, Meth. 106
Degree of protection (mated pair)	IEC 60529, IP67
RoHS	compliant

Tooling

N/A

Suitable cables

N/A

Weight

Weight 62.4 g/pce

While the information has been carefully compiled to the best of our knowledge, nothing is intended as representation or warranty on our part and no statement herein shall be construed as recommendation to infringe existing patents. In the effort to improve our products, we reserve the right to make changes judged to be necessary.

Draft	Date	Approved	Date	Rev.	Engineering change number	Name	Date
Inge Mühlauer	08/06/04	R. Fang	25.03.14	g00	14-0454	Fl. Öllerer	25.03.14
Rosenberger Hochfrequenztechnik GmbH & Co. KG P.O.Box 1260 D-84526 Tittmoning Germany www.rosenberger.de					Tel.: +49 8684 18-0 Fax: +49 8684 18-499 email: info@rosenberger.de		Page 2 / 2