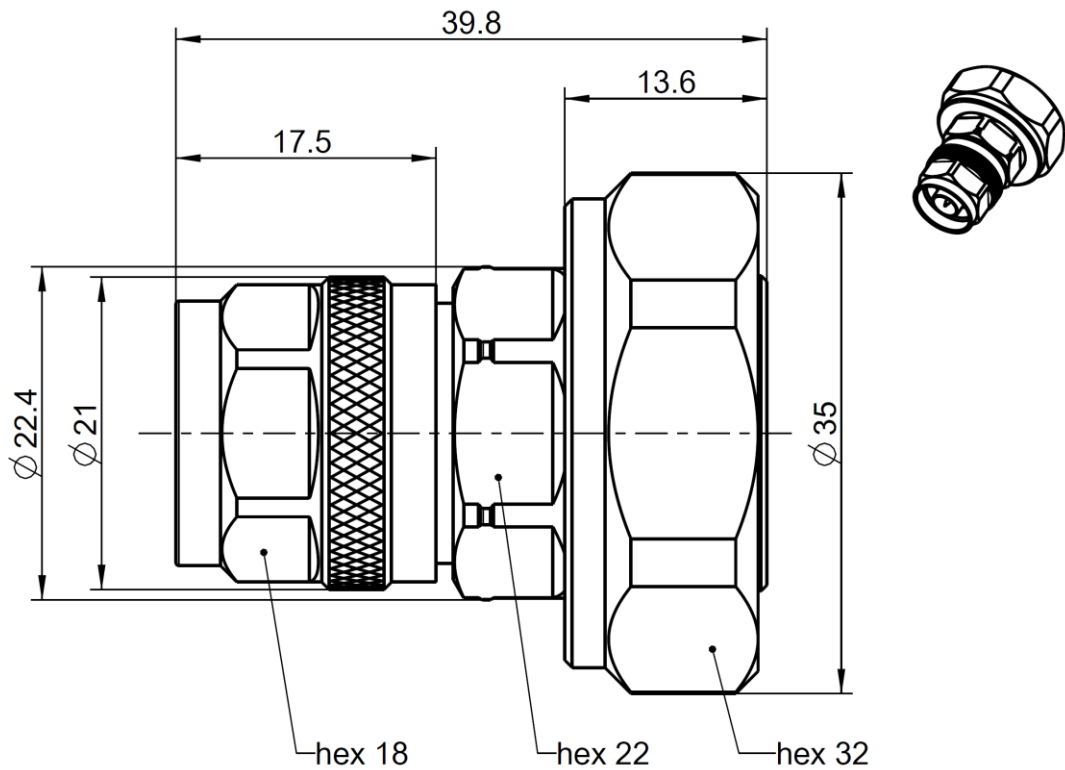


TECHNICAL DATA SHEET

ADAPTOR
N PLUG – 7/16 50 PLUG

www.pewtronic.cz
PLU010576



All dimensions are in mm; tolerances according to ISO 2768 m-H

Interface

According to N side: IEC 61169-16, MIL-PRF-39012, CECC 22210
7/16 side: IEC 61169-4, EN 122190, DIN 47223

Documents

N/A

Material and Plating

Connector parts

Center contact
Outer contact
Coupling nut
Dielectric
Gasket

Material

Brass
Brass
Brass
PTFE
Silicone

Plating

Silver, 3-6 µm
Flash white bronze over silver(e.g. Optargen®)
White bronze(e.g. Optalloy®)

RF_35/06.07/5.0

Rosenberger Hochfrequenztechnik GmbH & Co. KG
P.O.Box 1260 D-84526 Tittmoning Germany
www.rosenberger.de

Tel.: +49 8684 18-0

email: info@rosenberger.de

Page

1 / 2

TECHNICAL DATA SHEET

ADAPTOR
N PLUG – 7/16 50 PLUG

www.pewtronic.cz
PLU010576

Electrical Data

Impedance	50	
Frequency	DC to 7.5 GHz	
Return loss	40 dB, DC to 2.5 GHz	
	36 dB, 2.5 to 4 GHz	
	25 dB, 4 to 7.5 GHz	
Insertion loss	0.05 dB	
Insulation resistance	5 x 10 ³ M	
Center contact resistance	1 m , N side;	0.4 m , 7/16 side
Outer contact resistance	0.25 m , N side;	1.5 m , 7/16 side
Working voltage	500 V rms	
Power handling (at 20 °C, sea level, VSWR 1.0)	1000 W @ 1 GHz	
	700 W @ 2 GHz	
RF-leakage	128 dB up to 1 GHz	
Intermodulation (3 rd order)	-130 dBm @ 2 x 20 W	

Mechanical Data

	N side	7/16 side
Mating cycles	min. 500	min. 500
Coupling nut retention	450 N	1000 N
Center contact captivation: axial	200 N	200 N
radial	3 Ncm	3 Ncm
Coupling test torque	max. 1.7 Nm	max. 35 Nm
Recommended torque	0.7 Nm to 1.1 Nm	25 to 30 Nm

Environmental Data

Temperature range	-45°C to +85°C
Rapid change of temperature	IEC 60068-2-14 Test Na
Corrosion salt mist	IEC 60068-2-11 Test Ka
Vibration	IEC 60068-2-6 Test Fc
Shock	IEC 60068-2-27 Test Ea
Climatic class	IEC 60068-1 (45/85/56)
Cold	IEC 60068-2-1 Test A
Dry heat	IEC 60068-2-2 Test B
Damp heat (steady state)	IEC 60068-2-3 Test Ca
Degree of protection (mated pair)	IEC 60529, IP68
RoHS	compliant

Weight

87.7 g/pc

While the information has been carefully compiled to the best of our knowledge, nothing is intended as representation or warranty on our part and no statement herein shall be construed as recommendation to infringe existing patents. In the effort to improve our products, we reserve the right to make changes judged to be necessary.

Draft	Date	Approved	Date	Rev.	Engineering change number	Name	Date
Benjamin Kaindl	15.03.12	Rong Fang	02.12.15	a00	15-s430	B. Wollitzer	02.12.15
Rosenberger Hochfrequenztechnik GmbH & Co. KG P.O.Box 1260 D-84526 Tittmoning Germany www.rosenberger.de					Tel.: +49 8684 18-0 email: info@rosenberger.de		Page 2 / 2