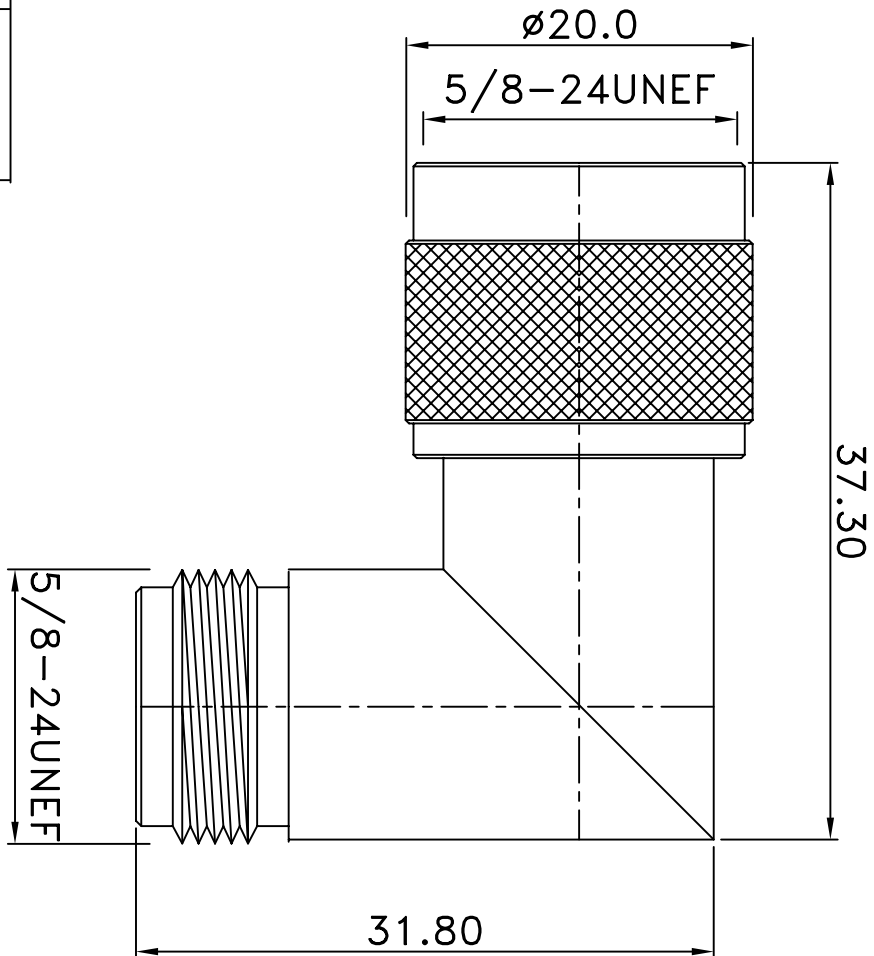


REV	DESCRIPTION	DRAWN	DATE



NO	Description	Qty	Material	Finish
7	WASHER	1	BRASS	NONE
6	GASKET	1	RUBBER	RED
5	INSULATOR	1	TEFLON	NONE
4	PIN	1	BRASS	GOLD
3	BODY	1	BRASS	NICKEL
2	BODY	1	BRASS	NICKEL
1	SHELL	1	BRASS	NICKEL

UNLESS OTHERWISE SPECIFIED
 1. REMOVE ALL BURRS
 2. BREAK ALL CORNERS & EDGES CO.1S MAX.
 3. CHAMFER 1ST & LAST THREADS 45°
 4. DIAMETERS ON COMMON CENTERS TO BE CONCENTRIC WITHIN 0.1mm
 5. ALL DIMENSIONS ARE AFTER PLATING.

* MAJOR DIMENSION UNLESS OTHERWISE NOTED

APPROVED

CHECKED

TITLE
 N MALE TO N FEMALE RIGHT ANGLE
 DRAWING NO.

SCALE	5/1	UNIT	MM
UNLESS OTHERWISE NOTED			
TOLERANCES	0.5-6=±0.2		
	6-30=±0.4		
	30-120=±0.6		
	120-315=±1.0		
	ANGLES=±1°		

DRAWN	DATE
andrew	03/07/29

FILE NO.

