

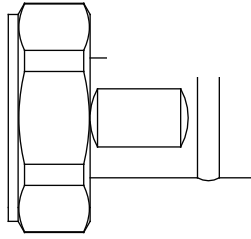
Installation Instructions

Connector Attachment

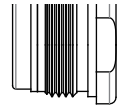
For Braided Cable CNT-400
Din Male, Captivated Pin, Clamp-type Body

Andrew Institute offers installation training.

Connector: **PLU010569**



Connector Body



Cable Attachment

Tools



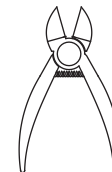
Safety Knife



Wire Brush



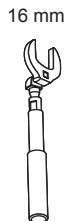
File



Diagonal Pliers

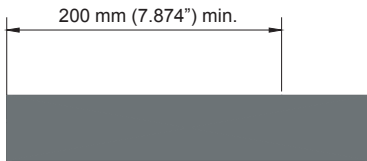


16 mm Wrench

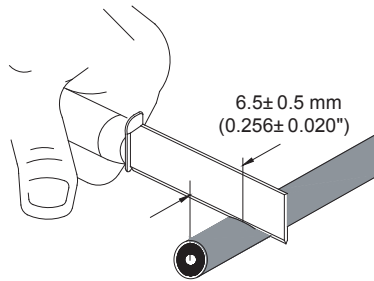


16 mm Torque Wrench

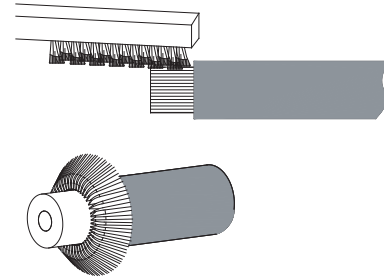
1. Straighten first 200.0 mm (7.874") min. of the cable.



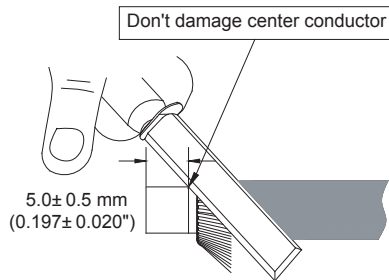
2. Remove 6.5 mm (0.256") of Jacket only.



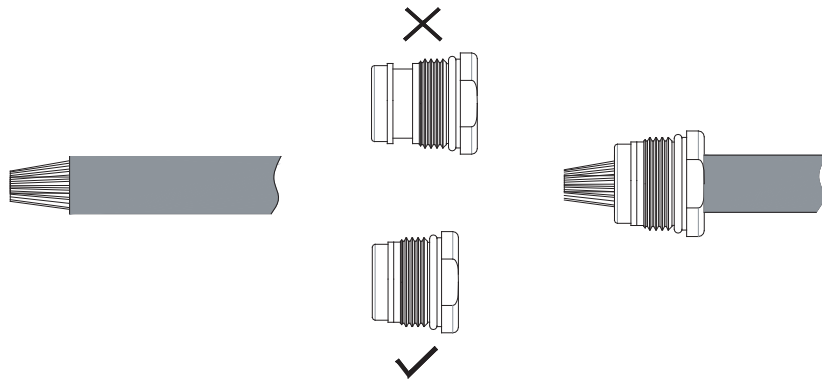
3. Comb braid straight with wire brush; Fold back braid as shown.



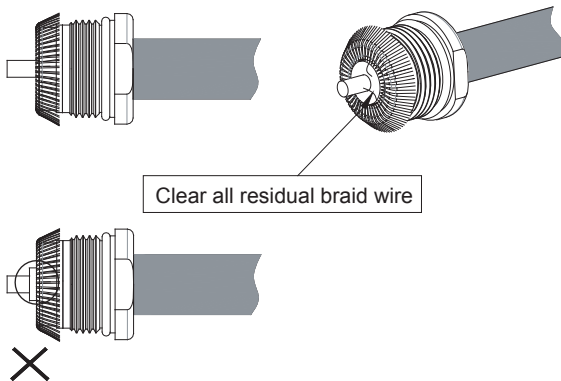
4. Remove 5.0 mm (0.197") of foil & foam, exposing the center conductor. Remove all foam/glue residue from the center conductor.



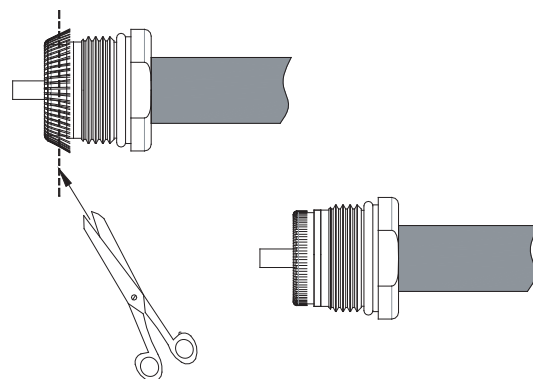
5. Taper braid towards center conductor as shown; According to illustration below to push and rotate slightly part A onto cable without damaging the braid.



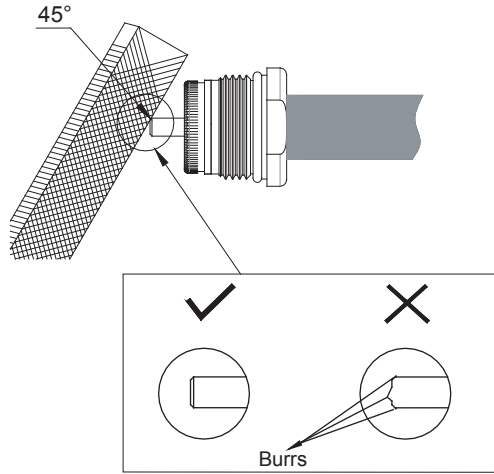
6. Fold back braid around part A and comb braid as shown, the braid should be straight and equally spaced after comb.



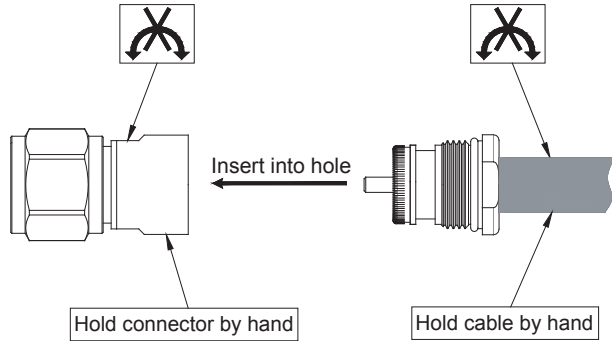
7. Cut off the redundant braid as shown.



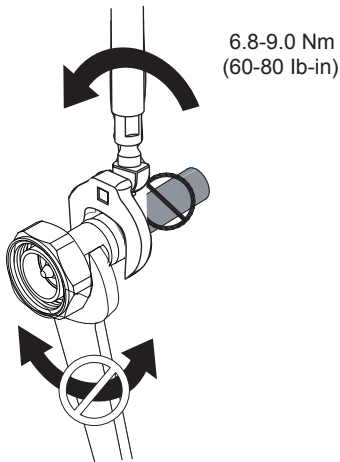
8. Chamfer the center conductor at a 45° angle.



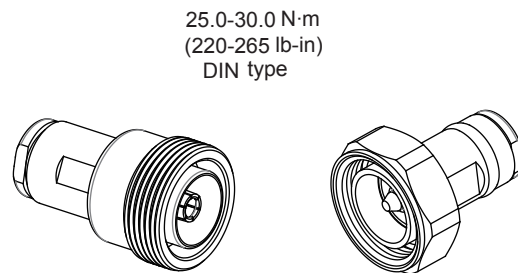
9. The cable attachment must be straight and aligned with the hole of connector inner contact; Push prepared cable attachment into the connector body until stopped; The cable center conductor must be inserted into the connector inner contact fingers.



10. Tighten the connection to the torque value of 6.8-9.0 Nm (60-80 lb-in).
Note: Do not turn connector body, turn clamp nut.



11. Coupling torque.



Part Name)	表一 有毒有害物质或元素名称及含量标识格式					
	有毒有害物质或元素					
	铅 (Pb)	汞 (Hg)	镉 (Cd)	六价铬 (Cr6+)	多溴联苯 (PBB)	多溴二苯醚 (PBDE)
连接器 (Connector)	X	O	O	O	O	O

O: 表示有毒有害物质在该部件所有的均质材料中的含量均在SJ/T 11363-2006规定的限量要求以下。
X: 表示该有毒有害物质至少在该部件的某一均质材料中的含量超出SJ/T 11363-2006规定的限量要求。

