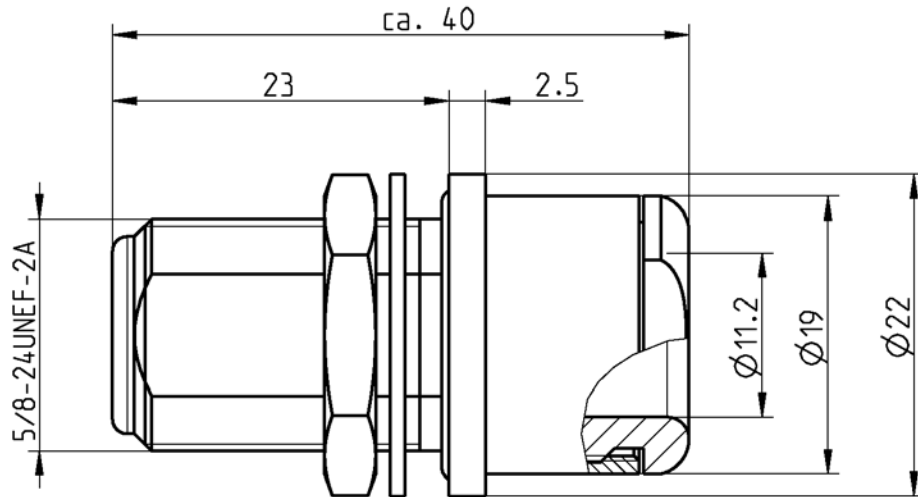


TECHNICAL DATA SHEET

Rosenberger®

N 50 Ω BULKHEAD JACK

53K50C-0N9N4



All dimensions are in mm; tolerances according to ISO 2768 m-H

Interface

According to

IEC 60169-16, MIL-PRF-39012, CECC 22210

Documents

Assembly instruction

53 A7

Panel piercing

B 13

Material and plating

Connector parts

Center contact

Outer contact

Dielectric

Gasket

Material

Spring bronze

Brass

PTFE

Silicone

Plating

Gold, min. 0.8 µm, over chemical nickel

White bronze(e.g. Optalloy®)

TECHNICAL DATA SHEET

Rosenberger®

N 50 Ω BULKHEAD JACK

53K50C-0N9N4

Electrical data

Impedance	50 Ω
Frequency	DC to 11 GHz
Return loss	≥ 25 dB, DC to 2 GHz
Insertion loss	≤ 0.05 dB, DC to 4 GHz
Insulation resistance	≥ 5 x10 ³ MΩ
Center contact resistance	≤ 1 mΩ
Outer contact resistance	≤ 0.25 mΩ
Test voltage	2500 V rms
Working voltage	1400 V rms
Power handling (at 20 °C, sea level, VSWR 1.0)	1000 W @ 1 GHz 700 W @ 2 GHz
RF-leakage	≥ 128 dB up to 1 GHz

*- Limitations are possible due to the used cable type -***Mechanical data**

Mating cycles	min. 500
Center contact captivation: axial	≥ 28 N
Coupling test torque	max. 1.7 Nm
Recommended torque	0.7 Nm to 1.1 Nm

Environmental data

Temperature range	-55°C to +155°C
Thermal shock	MIL-STD-202, Meth. 107, Cond. B
Corrosion	MIL-STD-202, Meth. 101, Cond. B
Vibration	MIL-STD-202, Meth. 204, Cond. B
Shock	MIL-STD-202, Meth. 213, Cond. I
Moisture resistance 2002/95/EC (RoHS)	MIL-STD-202, Meth. 106 compliant

Tooling

N/A

Suitable cables

RG 8

Packing

Standard	1 pce in bag
Weight	56 g/pce

While the information has been carefully compiled to the best of our knowledge, nothing is intended as representation or warranty on our part and no statement herein shall be construed as recommendation to infringe existing patents. In the effort to improve our products, we reserve the right to make changes judged to be necessary.

Draft	Date	Approved	Date	Rev.	Engineering change number	Name	Date
A. König	09/11/05	J. Krautenbacher	20/09/06	b00	06-0478	Fl. Öllerer	20/09/06
Rosenberger Hochfrequenztechnik GmbH & Co. KG P.O.Box 1260 D-84526 Tittmoning Germany www.rosenberger.de					Tel.: +49 8684 18-0 Fax: +49 8684 18-499 email: info@rosenberger.de		Page 2 / 2