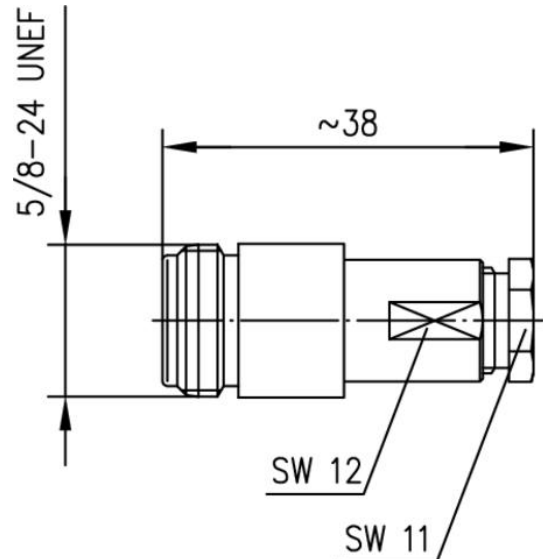


order number: PLU010511

N Straight Jack G7 (RG-316/U) IP 67



Technical Attributes	
Cable group; cable	G7 (RG-316/U)
Remarks	pressure sleeve IP 67
Assembly	B05

### Product description

The N series is a very popular coax connector. It is a medium sized, precision, weatherproof connector supplied with a screw coupling. In some applications this connector can be used up to 11 GHz. Only 50  $\Omega$  impedances are available. Connector styles are available for flexible, conformable, semi-rigid and corrugated cable types. Both crimp and clamp cable termination processes are used for this series. Special design techniques for this series of connectors have resulted in excellent levels of performance with regard to return loss (VSWR) and intermodulation distortion. Applications for these connectors vary from signal and data transmission where vibration resistance and environmental protection is required. N series provides a medium-power high-frequency solution for coax connections.

Mating face sealing for N connectors between plug and jack (mated) according to IP 68. The classifications are general statements for the relevant series. Individual connectors may deviate from the values shown. If in doubt, please consult our engineers.

Mechanical Characteristics	
	4 - 6 Nm

Recommended coupling torque	
Durability (mating cycles)	≥ 500
Material: spring contacts	CuBe2, CuNi1Pb1P(C97)
Material: outer conductor	CuZn39Pb3
Material: other metal parts	CuZn39Pb3
Material: insulators	PTFE PTFE
Material: gaskets	Silicone
Finish: Inner conductor	Cu2Ag5
Finish: Outer conductor	CuSnZn3 (Telealloy); Ag2CuSnZn0.5 (Optargen)
Finish: Other metal parts	CuSnZn3 (Telealloy), Cu2Ni5

Climatic Characteristics	
Climatic category acc. to IEC 60068 - 1	55/155/21

Electrical Characteristics	
Contact resistance inner conductor	≤ 1.5 mΩ
Contact resistance outer conductor	≤ 1.0 mΩ
Insulation resistance	≥ 5 GΩ
Voltage proof	2.5 kV <sub>eff</sub> /50 Hz
Impedance	50 Ω
Return loss: Straight style	≥ 30.5 dB/1 GHz
Return loss: Angle style	≥ 30.5 dB/1 GHz
Working voltage	≤ 1 kV <sub>eff</sub> /50 Hz
Frequency range up to	11 GHz

Standards	
IEC 61 169-16	

### Note

Combination connectors and cable clamps can be utilised to create a further number of N connector variations.

RF cable assemblies with N connectors upon request.