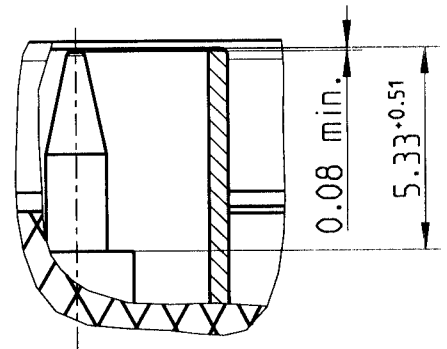
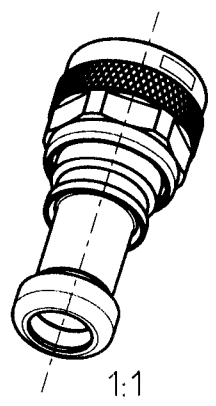
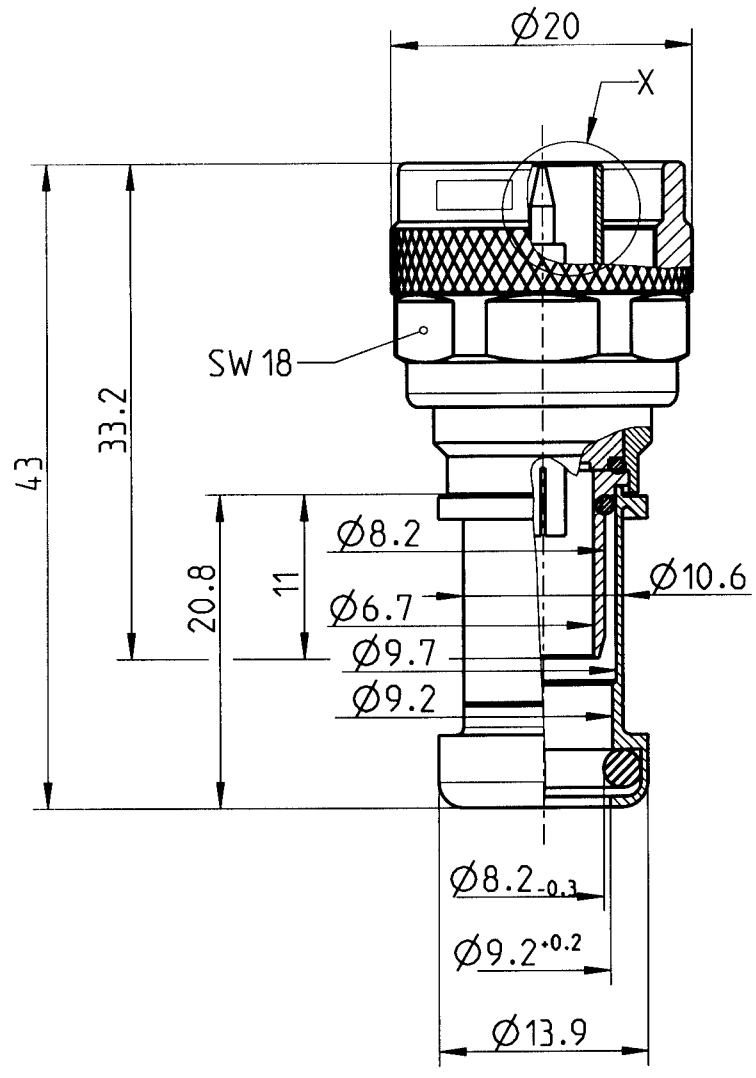


All rights strictly reserved. Reproduction or issue to third parties in any form whatever is not permitted without written authority from the proprietor. Property of Rosenberger Hochfrequenztechnik.

für diese technische Unterlage behalten wir uns alle Rechte vor (DIN 34)



X
5:1



1) Einsatztemperatur 80°C
temperature range 80°C

ALLESAMT JOB
Kupfen 2001-106

-METRIC-



ISO-Projektion
Methode E

Rosenberger Hochfrequenztechnik 84526 Tittmoning Pro/ENGINEER			general tolerance ISO 2768 m-H	assembly instr.: 5308 panel piercing: ---	scale: 2:1 () series: N MIL-C-39012	crimp insert: 11W 150-126 cable: Fa.Marconi AN 00123669
title: Stecker gerade Straight Plug					part-no.:	
drawn: 27.06.00 check: 30/9/02 appr: 30/9/02			date: 27.06.00 name: C. REIFER		sheet: 1 of: 1	
rev. a change-no. --- date 27.06.00 name C_RE	distribution to:		FE AZ QSM RMT	remarks:		