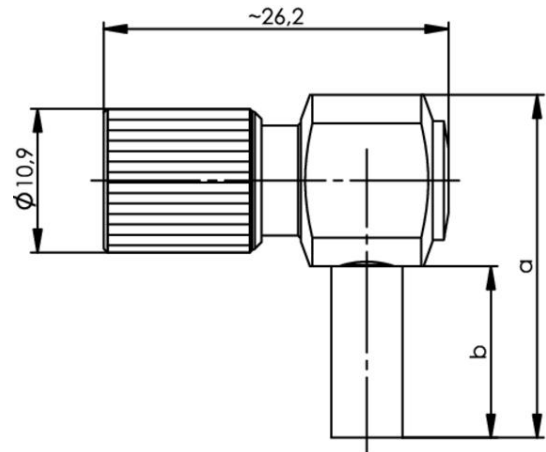


order number: PLU010439

1.6/5.6 Angle Plug Crimp G2 (RG-59B/U) screw



Technical Attributes	
Cable group; cable	G2 (RG-59B/U) 0.6/3.7 0.6L/3.7 8241 KX 6A RG-59B/U 3C-2V
Remarks	screw; solder/crimp
Dimensions	a=26; b=13
Assembly	C4706
Crimp die	N01001A0007

Product description

The 1.6/5.6 series of connectors are available with three different plug designs: Snap-on coupling allowing rapid but secure connections, screw coupling for vibration proof installations, slide-on coupling which is suitable for rack and panel systems. The jack has one mating-face design, which will mate with all three plug types.

The maximum frequency for this series is limited to 1 GHz. The impedance is controlled at 75 Ω for all types. Versions of this series connector are available for mounting to printed circuit boards using thru-hole soldered techniques. Clamp and crimp techniques are used to terminate this series to cables. 1.6/5.6 connectors find applications in many types of communication equipment.

Mechanical Characteristics	
Durability (mating cycles)	≥ 1000
Insertion force: Screw	≤ 12 N
Insertion force: Snap-on	≤ 50 N
Insertion force: Slide-on	≤ 12 N
Withdrawal force: Screw	2.2 - 10 N
Withdrawal force: Snap-on	≥ 18 N
Withdrawal force: Slide-on	2.2 - 10 N
Material: spring contacts	CuNi1Pb1P(C97), CuBe2
Material: outer conductor	CuZn39Pb3, CuZn38Pb2
Material: other metal parts	CuZn39Pb3, CuZn38Pb2
Material: insulators	PTFE, PE
Finish: Inner conductor	NiP-Au
Finish: Outer conductor	NiP-Au
Finish: Other metal parts	CuSnZn3

Climatic Characteristics	
Climatic category acc. to IEC 60068 - 1	40/85/21

Electrical Characteristics	
Contact resistance inner conductor	≤ 4 m Ω
Contact resistance outer conductor	≤ 2 m Ω
Insulation resistance	16 G Ω
Voltage proof	1 kVeff/50 Hz

Impedance	75 Ω
Return loss, straight types at 1 GHz*	≥ 36 dB
Return loss, straight types at 3 GHz*	≥ 27 dB
Return loss, angled types at 1 GHz*	≥ 30 dB
Return loss, angled types at 3 GHz*	≥ 20 dB
Working voltage	≤ 500 V _{eff} /50 Hz
Frequency range up to	3 GHz (Cable Connectors); 1 GHz

Standards	
IEC 60 169-13	