

Product Specifications



PLU010418

7 16 DIN Male Positive Stop™ for 7/8 in AL5 50 and AVA5 50 cable

General Specifications

Interface	7 16 DIN Male
Body Style	Straight
Brand	HELIAX® Positive Stop™
Mounting Angle	Straight

Electrical Specifications

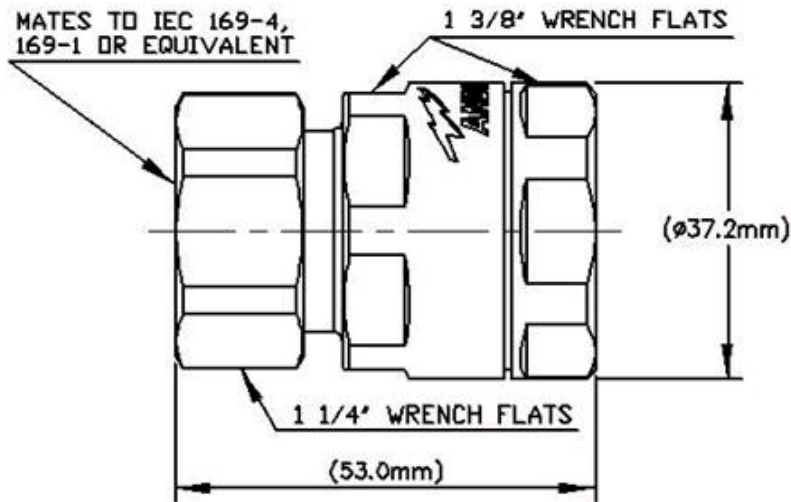
Connector Impedance	50 ohm
Operating Frequency Band	0 – 5200 MHz
Cable Impedance	50 ohm
3rd Order IMD, typical	120 dBm @ 910 MHz
3rd Order IMD Test Method	Two +43 dBm carriers
RF Operating Voltage, maximum (vrms)	1415.00 V
dc Test Voltage	4000 V
Outer Contact Resistance, maximum	1.50 mOhm
Inner Contact Resistance, maximum	0.40 mOhm
Insulation Resistance, minimum	5000 MOhm
Average Power	3.0 kW @ 900 MHz
Peak Power, maximum	40.00 kW
Insertion Loss, typical	0.05 dB
Shielding Effectiveness	130 dB

Product Specifications

PLU010418



Outline Drawing



Mechanical Specifications

Outer Contact Attachment Method	Ring flare
Inner Contact Attachment Method	Captivated
Outer Contact Plating	Trimetal
Inner Contact Plating	Silver
Attachment Durability	25 cycles
Interface Durability	500 cycles
Interface Durability Method	IEC 61169 4:9.5
Connector Retention Tensile Force	1334 N 300 lbf
Connector Retention Torque	8.13 N m 72.00 in lb
Insertion Force	200.17 N 45.00 lbf
Insertion Force Method	IEC 61169 1:15.2.4
Pressurizable	No
Coupling Nut Proof Torque	24.86 N m 220.00 in lb
Coupling Nut Retention Force	1000.85 N 225.00 lbf
Coupling Nut Retention Force Method	MIL C 39012C 3.25, 4.6.22

Dimensions

Nominal Size	7/8 in
Diameter	37.20 mm 1.46 in
Length	52.95 mm 2.08 in
Weight	198.00 g 0.44 lb

Environmental Specifications

Operating Temperature	55 °C to +85 °C (67 °F to +185 °F)
-----------------------	-------------------------------------

Product Specifications

PLU010418



Storage Temperature	55 °C to +85 °C (67 °F to +185 °F)
Immersion Depth	1 m
Immersion Test Mating	Unmated
Immersion Test Method	IEC 60529:2001, IP68
Water Jetting Test Mating	Unmated
Water Jetting Test Method	IEC 60529:2001, IP66
Moisture Resistance Test Method	MIL STD 202F, Method 106F
Mechanical Shock Test Method	MIL STD 202F, Method 213B, Test Condition C
Thermal Shock Test Method	MIL STD 202F, Method 107G, Test Condition A 1, Low Temperature 55 °C
Vibration Test Method	IEC 60068 2 6
Corrosion Test Method	MIL STD 1344A, Method 1001.1, Test Condition A

Standard Conditions

Attenuation, Ambient Temperature	20 °C 68 °F
Average Power, Ambient Temperature	40 °C 104 °F

Return Loss/ VSW R

Frequency Band	VSWR	Return Loss (dB)
45–1000 MHz	1.02	39.00
1010–2200 MHz	1.03	37.50
2210–3000 MHz	1.03	35.60
3010–5200 MHz	1.08	28.00

Regulatory Compliance/ Certifications

Agency	Classification
RoHS 2002/95/EC	Compliant by Exemption
China RoHS SJ/T 11364 2006	Above Maximum Concentration Value (MCV)
ISO 9001:2008	Designed, manufactured and/or distributed under this quality management system



* Footnotes

Immersion Depth	Immersion at specified depth for 24 hours
Insertion Loss, typical	$0.05\sqrt{\text{freq}}$ (GHz) (not applicable for elliptical waveguide)