

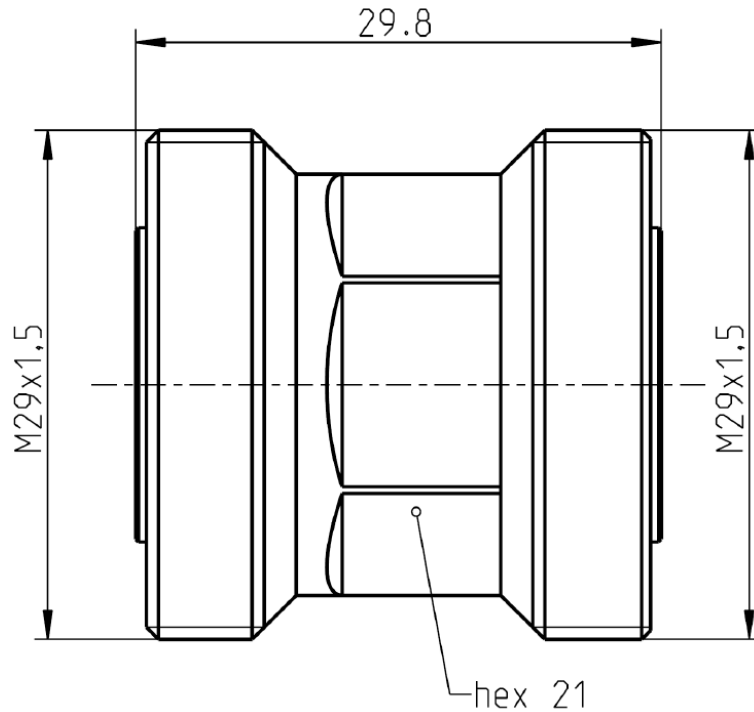
Technical Data Sheet

7-16

Adaptor
Jack - Jack

www.pewtronic.cz

PLU010389



All dimensions are in mm; tolerances according to ISO 2768 m-H

Interface

According to

IEC 61169-4, EN 122190, DIN 47223

Material and plating

Connector parts

Center contact
Outer contact
Dielectric

Material

CuBe or equiv.
Brass
PTFE

Plating

Silver, 3-6 μm
Flash white bronze over silver(e.g. Optargen®)

Technical Data Sheet

7-16

Adaptor
Jack - Jack

www.pewtronic.cz
PLU010389

Electrical data

Impedance	50
Frequency	DC to 8.3 GHz
Return loss	40 dB @ DC to 3GHz 35 dB @ 3 GHz to 4.5 GHz 30 dB @ 4.5 GHz to 8.3 GHz
Insertion loss	$0.05 \times \sqrt{f \text{ [GHz]}}$ dB
Insulation resistance	10 G
Center contact resistance	0.4 m
Outer contact resistance	1.5 m
Test voltage (at sea level)	4000 V rms
Working voltage (at sea level)	2700 V rms
Power handling (at 20 °C, sea level, VSWR 1.0)	1800 W @ 1 GHz 800 W @ 4 GHz
RF-leakage	128 dB @ DC to 1 GHz
Intermodulation (3 rd order)	≤ -128 dBm @ 2 x 20 W

Mechanical data

Mating cycles	500
Center contact captivation: axial	200 N
radial	2 Ncm
Coupling torque (recommended)	25 to 30 Nm
Proof torque	35 Nm

Environmental data

Temperature range	-55 °C to +155 °C
Rapid change of temperature	DIN EN 122190, Sub-clause 4.6.7
Corrosion resistance	DIN EN 122190, Sub-clause 4.6.10
Vibration	DIN EN 122190, Sub-clause 4.6.3
Climatic category	DIN EN 122190, Sub-clause 4.6.5 (55/155/56)
Damp heat	DIN EN 122190, Sub-clause 4.6.6
Degree of protection (mated pair)	IEC 60529, IP68 2.5 bar 1h
RoHS	compliant

Weight

Weight	60 g/pce
--------	----------

While the information has been carefully compiled to the best of our knowledge, nothing is intended as representation or warranty on our part and no statement herein shall be construed as recommendation to infringe existing patents. In the effort to improve our products, we reserve the right to make changes judged to be necessary.

Draft	Date	Approved	Date	Rev.	Engineering change number	Name	Date
Benjamin Kaindl	15.03.12	Sa. Krautenbacher	20.03.14	b00	14-0352	T. Krojer	20.03.14
Rosenberger Hochfrequenztechnik GmbH & Co. KG P.O.Box 1260 D-84526 Tittmoning Germany www.rosenberger.de				Tel. : +49 8684 18-0 Fax : +49 8684 18-499 Email : info@rosenberger.de			Page 2 / 2