

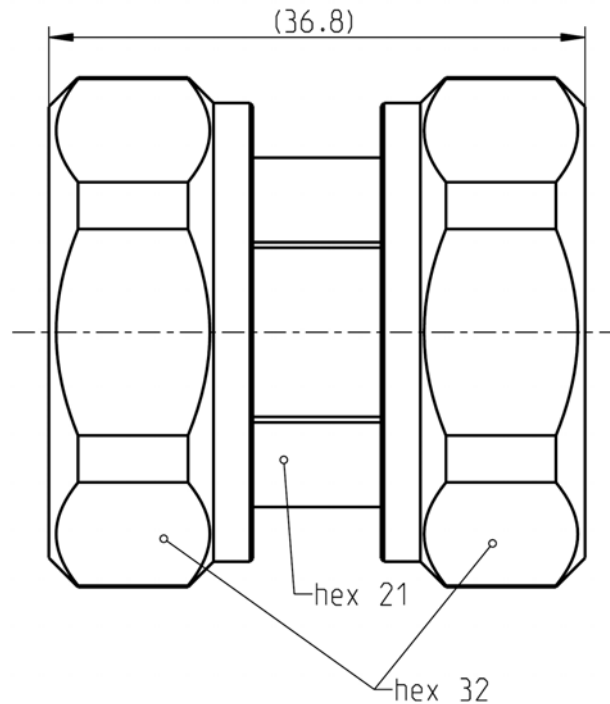
# Technical Data Sheet - Draft

7-16

Adaptor  
Plug - Plug

www.pewtronic.cz

**PLU010388**



All dimensions are in mm; tolerances according to ISO 2768 m-H

## Interface

According to

IEC 61169-4, EN 122190, DIN 47223

## Material and plating

### Connector parts

Center contact  
Outer contact  
Dielectric  
Gasket

### Material

Brass  
Brass  
PTFE  
Silicone

### Plating

Silver, 3-6  $\mu\text{m}$   
Flash white bronze over silver(e.g. Optargen®)

Dieses Dokument ist urheberrechtlich geschützt • This document is protected by copyright • Rosenberger Hochfrequenztechnik GmbH & Co. KG

RF\_35/05.10/6.0

Rosenberger Hochfrequenztechnik GmbH & Co. KG  
P.O.Box 1260 D-84526 Tittmoning Germany  
[www.rosenberger.de](http://www.rosenberger.de)

Tel. : +49 8684 18-0  
Fax : +49 8684 18-499  
Email : [info@rosenberger.de](mailto:info@rosenberger.de)

Page

1 / 2

# Technical Data Sheet - Draft

7-16

Adaptor  
Plug - Plug

www.pewtronic.cz  
**PLU010388**

## Electrical data

Impedance	50
Frequency	DC to 8.3 GHz
Return loss	40 dB @ DC to 3 GHz 35 dB @ 3 GHz to 4.5 GHz 30 dB @ 4.5 GHz to 7.5 GHz 25 dB @ 7.5 GHz to 8.3 GHz
Insertion loss	$0.5 \times \sqrt{f \text{ [GHz]}}$ dB
Insulation resistance	10 G
Center contact resistance	0.4 m
Outer contact resistance	1.5 m
Test voltage (at sea level)	4000 V rms
Working voltage (at sea level)	2700 V rms
Power handling (at 20 °C, sea level, VSWR 1.0)	1800 W @ 1 GHz 800 W @ 4 GHz
RF-leakage	128 dB @ DC to 1 GHz
Intermodulation (3 <sup>rd</sup> order)	-128 dBm @ 2 x 20 W

## Mechanical data

Mating cycles	500
Coupling nut retention	1000 N
Center contact captivation: axial	200 N
radial	2 Ncm
Coupling torque (recommended)	25 to 30 Nm
Proof torque	35 Nm

## Environmental data

Temperature range	-55 °C to +155 °C
Rapid change of temperature	DIN EN 122190, Sub-clause 4.6.7
Corrosion resistance	DIN EN 122190, Sub-clause 4.6.10
Vibration	DIN EN 122190, Sub-clause 4.6.3
Climatic category	DIN EN 122190, Sub-clause 4.6.5 (55/155/56)
Damp heat	DIN EN 122190, Sub-clause 4.6.6
Degree of protection (mated pair)	IEC 60529, IP68 2.5 bar 1h
RoHS	compliant

## Weight

Weight	125 g/pce
--------	-----------

While the information has been carefully compiled to the best of our knowledge, nothing is intended as representation or warranty on our part and no statement herein shall be construed as recommendation to infringe existing patents. In the effort to improve our products, we reserve the right to make changes judged to be necessary.

Draft	Date	Approved	Date	Rev.	Engineering change number	Name	Date
Benjamin Kaindl	12.03.12	Sa. Krautenbacher	21.03.14	600	14-0352	T. Krojer	21.03.14
Rosenberger Hochfrequenztechnik GmbH & Co. KG P.O.Box 1260 D-84526 Tittmoning Germany <a href="http://www.rosenberger.de">www.rosenberger.de</a>				Tel. : +49 8684 18-0 Fax : +49 8684 18-499 Email : <a href="mailto:info@rosenberger.de">info@rosenberger.de</a>			Page 2 / 2