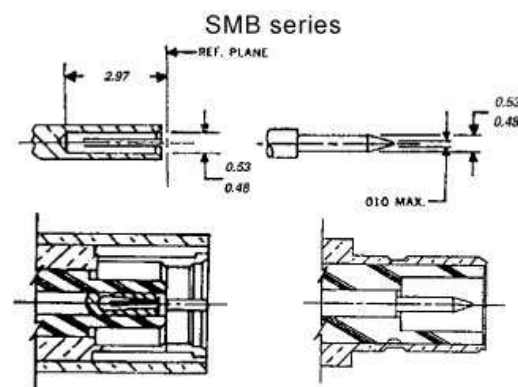


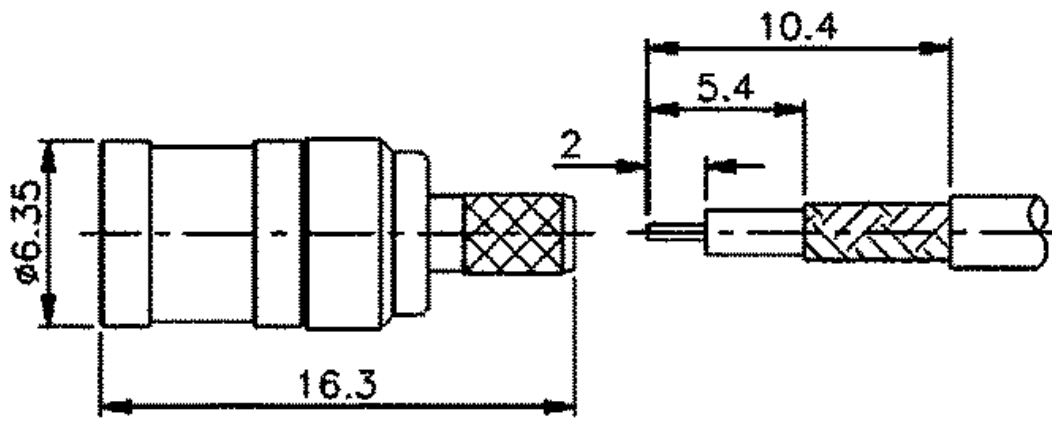
Item Number: PLU010358**RoHS:**  **RoHS****Description**

IMPEDANCE 50 Ω , FREQUENCY RANGE 0-4GHz, VOLTAGE RATING AC 250V, WITHSTANDING VOLTAGE AC 750V ONE MINUTE, CONTACT RESISTANCE 6.0m Ω MAX, INSULATION RESISTANCE 1000M Ω MIN AT DC 500V
 Weight: 2.56
 Size L x W x H (mm): 6.5* 6.5* 20.8

RF Connectors**Coaxial cable assemblies****Ordering Information :****- L (UHF male crimp type RG58U)****A** : 9B/U,214/U**D** : 142B/U,223/U,400/U**E** : 179B/U,187A/U**F** : H155**G** : 8/U,LMR400,belden9913**H** : 6A/U,6/U (5C2V)**J** : 8A/U,213/U(7C2V)**K** : 11A/U**L** : 58/U,58A/U,141A/U(3C2V)**M** : 59/U,59A/U,59B/U,62A/U,210/U**N** : 108A/U**P** : 174/U,188A/U,316/U**Q** : 178/U,196/U**R** : belden 8227,9207**S** : ethernet**U** : 401/U**V** : 402/U**W** : 405/UInsulation (**B** : bakelite **T** : teflon)**Electrical specifications :**

Connector series	Impedance	Frequency range	Voltage rating	Withstanding voltage	Contact resistance	Insulation resistance
SMB	50 Ω	0 - 4 GHz	AC 250V	AC 750V one minute	6.0m Ω max	1000M Ω min at DC 500V

Size Image



www.pewtronic.cz

PLU010358