

PRODUCT DATA SHEET**Within series adapter: PLU010336****Description**

Straight N type female to female bulkhead adapter

Suitable standard

IEC 60169-16

DWG. number

JC3. 640. 161

MATERIALS & PLATING

	Description	Material	Surface Plating	Remark
1	Shell/Body	BRASS	Nickel	-
2	Inner Conductor	PHOSPHOR BRONZE	Gold	-
3	Insulator	PTFE	-	-

ELECTRICAL CHARACTERISTICS

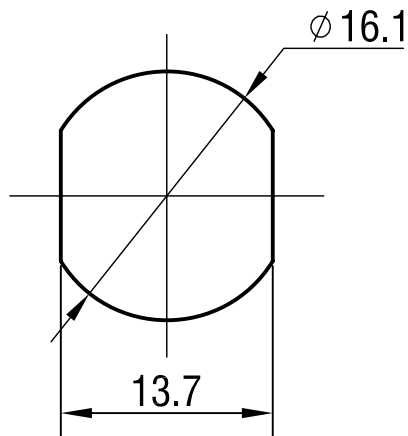
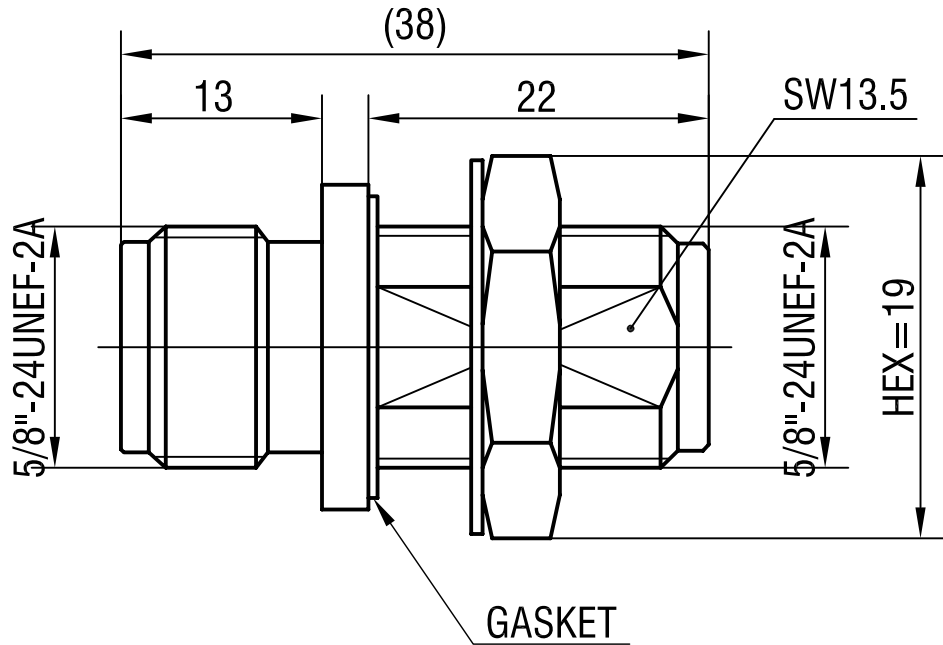
	Item	Technical Data
1	Impedance	50Ω
2	Frequency range max	11 GHz
3	Dielectric Withstanding Voltage	2500V (RMS)
4	Contact Resistance	Center conductor ≤ 1mΩ, Outer conductor ≤ 1mΩ
5	Insulation Resistance	≥ 5000MΩ
6	VSWR	0~ 3 GHz <1.2

MECHANICAL CHARACTERISTICS

1	Mating	5/8" -24UNEF-2A
2	Durability	≥ 500 cycles

ENVIRONMENTAL CHARACTERISTICS

1	Temperature range	- 55° C to +155 ° C
---	-------------------	---------------------



Recommended Mounting Hole

4	NUT	BRASS	1	nickel
3	BODY	BRASS	1	nickel
2	INSULATOR	PTFE	2	—
1	CONTACT SOCKET	PHOSPHOR BRONZE	1	gold
CODE	DESCRIPTION	MATERIAL	QTY	FINISH

dimensions in millimeter (mm)

Register				
Old base drawing number				
base drawing number				
signature	Mark	Num.	File number	signature
Date	Design	Chen	Jing	
	Drawing	Li	Xiang	
	Check	Shen	Peng Lin	
	Approval	Shen	Peng Lin	

Title		Dwg Number		
PLU010336		JC3.640.161		
N Type Female To Female Bulkhead Adapter		Version	QTY	Weight (KG)
		∇1.0		
OUTLINE DRAWING		Total	Pages	The Page
		www.pewtronic.cz		