

HUBER+SUHNER® DATA SHEET

EMP Protector: PLU010324

Rev.: J

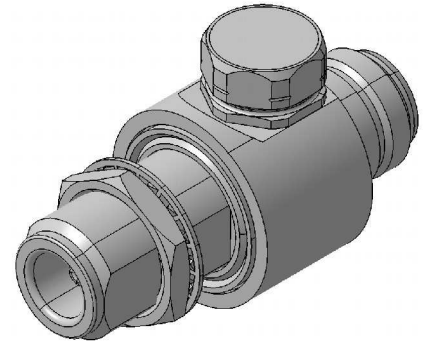


Description

GDT technology up to 1.0 GHz

Benefits

Broad-band operation
 DC continuity for outdoor powering
 The protector can also be installed reversely
 Delivered without gas discharge tube
 Data refer to GDT 9071.99.0547, 230 V



Product Configuration

Main path connectors Port 1: unprotected, N jack (female) - Port 2: protected, N jack (female)
 Mounting and grounding MH12 (MH=bulkhead mounting)
 Side of bulkhead protected side

Technical Data

Electrical Data

Impedance 50 Ω
 Frequency range 0 to 1000 MHz
 Return loss ≥ 26.44 dB
 Insertion loss ≤ 0.1 dB
 RF CW power ≤ 150 W
 PIM 3rd order not specified
 Surge current handling capability 30 single / 20 multiple kA (test pulse 8/20 μ s)
 Residual pulse energy 350 μ J typically (test pulse 4 kV 1.2/50 μ s / 2 kA 8/20 μ s) main path - protected side

Mechanical Data

Weight 87 g

Environmental Data

Operating temperature -40 °C to +85 °C
 Waterproof degree IP 65 (according to IEC 60529, data refer to the coupled state)
 2002/95/EC (RoHS) compliant

Material Data

Piece Parts	Material	Surface Plating
Housing	Brass	SUCOPLATE (R) Plating
Port 1 center contact	Copper Beryllium Alloy	Gold Plating (without Nickel underplating)
Port 2 center contact	Copper Beryllium Alloy	Gold Plating (without Nickel underplating)

Related Documents

Outline drawing DOU-00003942.1
 Mounting instruction DOC-0000176104

Remarks

Customer number NATO: NSN 5820-99-726-4346, 5920-14-516-6621, 5920-17-100-7884, 5920-66-127-4034

HUBER+SUHNER is certified according to ISO 9001 and ISO 14001

WAIVER!

It is exclusively in written agreements that we provide our customers with warrants and representations as to the technical contained specifications and/or the fitness for any particular purpose. The facts and figures herein are carefully compiled to the best of our knowledge, but they are intended for general informational purposes only.



HUBER+SUHNER AG
 RF Protection
 9100 Herisau, Switzerland
 Phone +41 (0)71 353 41 11
 Fax +41 (0)71 353 47 51
 www.hubersuhner.com

HUBER+SUHNER – Excellence in Connectivity Solutions