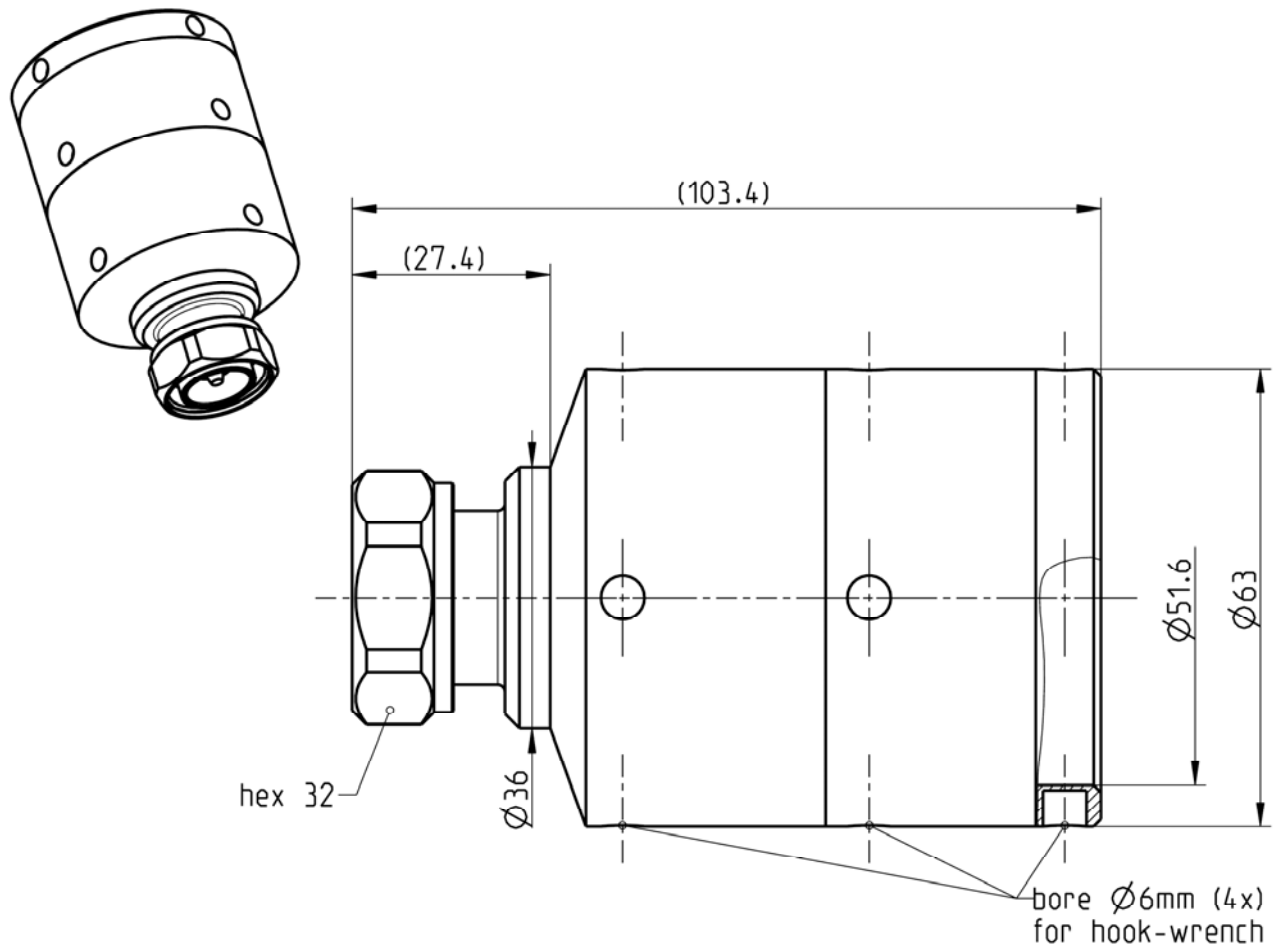


7/16 STRAIGHT PLUG
(1 5/8"R)

www.pewtronic.cz
PLU010296



All dimensions are in mm; tolerances according to ISO 2768 m-H

Interface

According to IEC 60169-4, VG 95250, EN 122190, DIN 47223

Documents

Assembly instruction 60 I29

Material and plating

Connector parts

Center contact	Brass
Outer contact	Brass
Body	Brass
Dielectric	PTFE
Gasket	Silicone

Plating

Silver, 3-6 µm
Flash white bronze over silver(e.g. Optargen®)
Flash white bronze over silver(e.g. Optargen®)

7/16 STRAIGHT PLUG
(1 5/8"R)

www.pewtronic.cz
PLU010296

Electrical data

Impedance	50 Ω
Frequency	DC to 8.3 GHz
Return loss	≥ 30 dB, DC to 2.7 GHz
Insertion loss	≤ 0.05 dB
Insulation resistance	≥ 10 ⁴ MΩ
Center contact resistance	≤ 0.4 mΩ
Outer contact resistance	≤ 1.5 mΩ
Test voltage (at sea level)	4000 V rms, 50 Hz
Working voltage (at sea level)	2700 V rms, 50 Hz
Power handling (at 20 °C, sea level, VSWR 1.0)	1800 W @ 1 GHz 800 W @ 4 GHz
RF-leakage	≥ 128 dB up to 1 GHz
Intermodulation (3 rd order)	≤ -117 dBm @ 2 x 20 W

- Limitations are possible due to the used cable type -

Mechanical data

Mating cycles	min. 500
Coupling nut retention	≥ 1000 N
Center contact captivation: axial	≥ 200 N
radial	≥ 2 Ncm
Coupling torque (recommended)	25 to 30 Nm
Proof torque	max. 35 Nm

Environmental data

Temperature range	-55°C to +155°C
Rapid change of temperature	DIN EN 122190, clause 4.6.7
Corrosion salt mist	DIN EN 122190, clause 4.6.10
Vibration	DIN EN 122190, clause 4.6.3
Damp heat	DIN EN 122190, clause 4.6.6
Climatic tests	DIN EN 122190, clause 4.6.5 (55/155/56)
Degree of protection (mated pair)	IEC 60529, IP68 2.5 bar

Tooling

N/A

Suitable cables

Leoni 1 5/8" R (recommended)
Andrew LDF 7-50A
RFS LCFS 1 58-50

Packing

Standard	1 pce in box
Weight	1040.0 g/pce

While the information has been carefully compiled to the best of our knowledge, nothing is intended as representation or warranty on our part and no statement herein shall be construed as recommendation to infringe existing patents. In the effort to improve our products, we reserve the right to make changes judged to be necessary.

Draft	Date	Approved	Date	Rev.	Engineering change number	Name	Date
Inge Mühlauer	29/06/04	Krautenbacher J.	05.11.07	d00	07-0767	T. Stadler	05.11.07
Rosenberger Hochfrequenztechnik GmbH & Co. KG P.O.Box 1260 D-84526 Tittmoning Germany www.rosenberger.de						Tel.: +49 8684 18-0 Fax: +49 8684 18-499 email: info@rosenberger.de	
						Page 2 / 2	