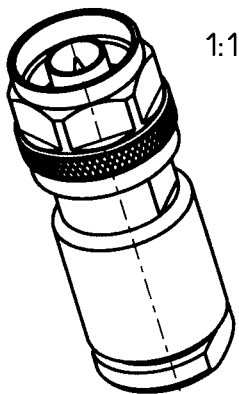
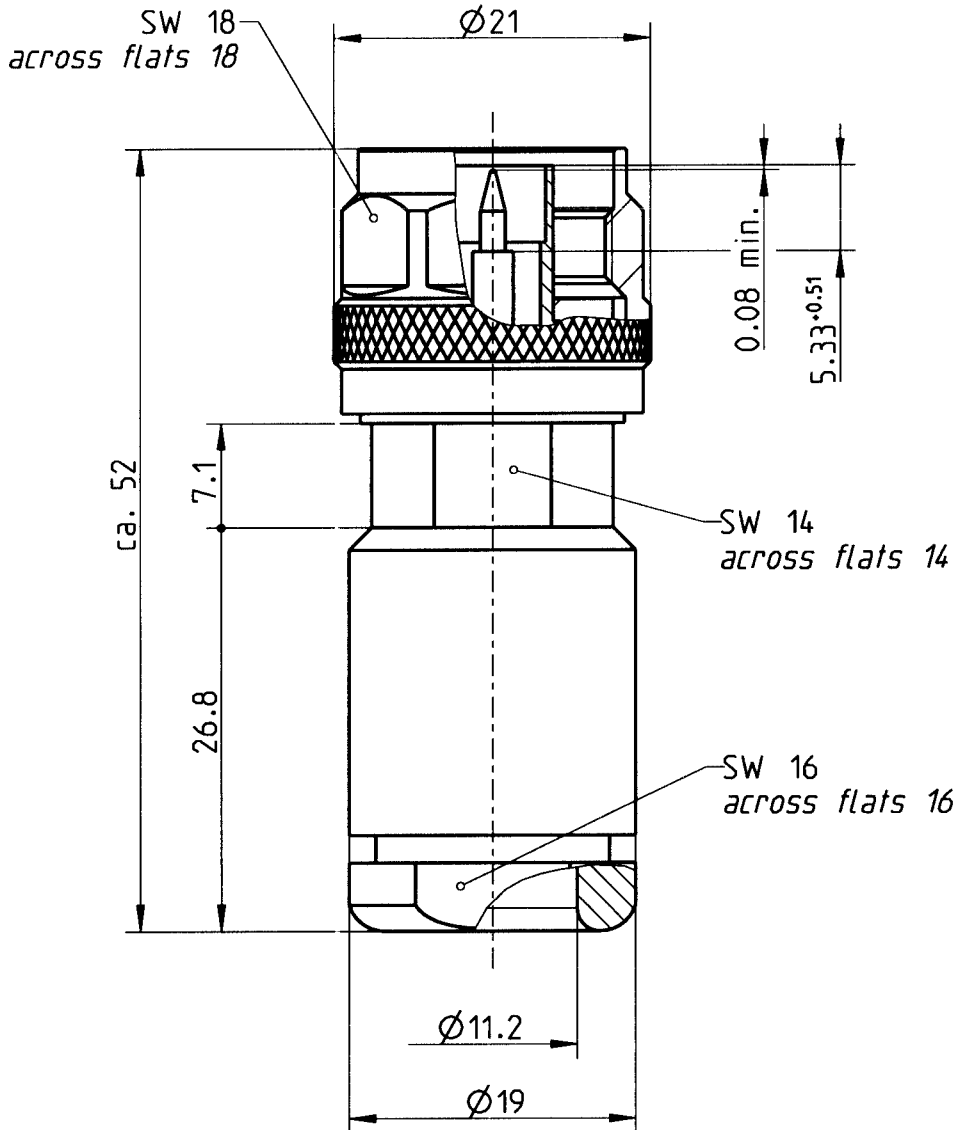


All rights strictly reserved. Reproduction or issue to third parties in any form whatever is not permitted without written authority from the proprietor. Property of Rosenberger Hochfrequenztechnik.

fuer diese technische Unterteile behalten wir uns alle Rechte vor (DIN 34)



Schutzkappe nicht dargestellt
protection cap not plotted

Formschl. TCC, EB, 07, 08, 11, 12, 13, 14, 15, 16, 17, 18, 19, 20, 21, 22, 23, 24, 25, 26, 27, 28, 29, 30, 31, 32, 33, 34, 35, 36, 37, 38, 39, 40, 41, 42, 43, 44, 45, 46, 47, 48, 49, 50, 51, 52, 53, 54, 55, 56, 57, 58, 59, 60, 61, 62, 63, 64, 65, 66, 67, 68, 69, 70, 71, 72, 73, 74, 75, 76, 77, 78, 79, 80, 81, 82, 83, 84, 85, 86, 87, 88, 89, 90, 91, 92, 93, 94, 95, 96, 97, 98, 99, 100
 Plak. 1, 2, 3, 4, 5, 6, 7, 8, 9, 10, 11, 12, 13, 14, 15, 16, 17, 18, 19, 20, 21, 22, 23, 24, 25, 26, 27, 28, 29, 30, 31, 32, 33, 34, 35, 36, 37, 38, 39, 40, 41, 42, 43, 44, 45, 46, 47, 48, 49, 50, 51, 52, 53, 54, 55, 56, 57, 58, 59, 60, 61, 62, 63, 64, 65, 66, 67, 68, 69, 70, 71, 72, 73, 74, 75, 76, 77, 78, 79, 80, 81, 82, 83, 84, 85, 86, 87, 88, 89, 90, 91, 92, 93, 94, 95, 96, 97, 98, 99, 100
 Date: AL, ES, SM, Z, ED, F, H
 Version: 1.0

ISO-Projektion Methode E
 -METRIC-

Rosenberger Hochfrequenztechnik 84526 Tittmoning Pro/ENGINEER				general tolerance ISO 2768 m-H		assembly instr.: 53A2 panel piercing: ---		scale: 2:1 (1:1) series: N MIL-C-39012		crimp insert: --- cable: RG 8 ---	
				title: Stecker gerade straight plug				part-no.: 53S10A-0N9_LV			
drawn: 30.01.2002 check: 27/8/03 appr: 27/10/03		date: 30.01.2002 name: C_REJTER		remarks: .							
a00 03-s227 F_Huber 26.08.2003 900 03-m137 F_Huber 20.05.2003 800 02-m256 F_Huber 20.05.2003 700 02-m022 F_Huber 20.05.2003	distribu- tion to:		FE	AZ	QSM	RMT					
rev. change-no. name date											