

D-Series Miniature Connectors 2, 3 & 4 Contacts

- Home
- Microtech
- Specifications
- B - Series
- D - Series**
- E - Series
- HD Series
- MD Series
- LE Series
- F - Series
- Strip
- Cables
- Cables
- Email

Inner Cable Conductors:

Solder or Crimp to contacts

All D-Series connectors are available with crimp type contacts. To order, add C to model number. XCX-XX-XX

Cable Retention:

Solder or Crimp to connector housing

Coupling Type:

Screw-On

Cable:

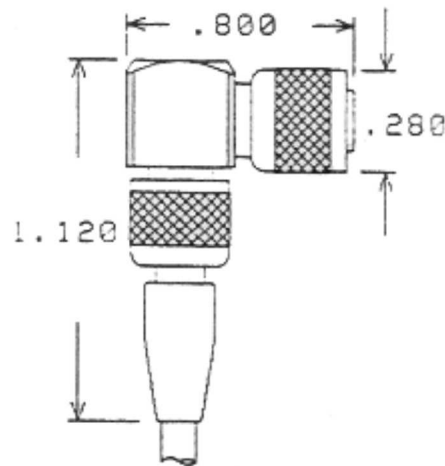
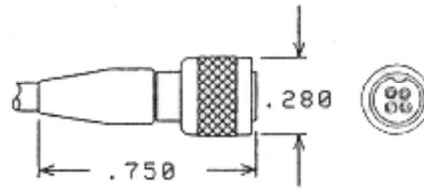
AWG 30, Microtech MS-4 cable. Max. jacket O.D. .105"

All Threads #1/4-28 NF

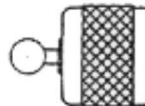
**Drawings are greatly enlarged for clarity.
Refer to dimensions for actual size.**

PLUGS

DP-4S-1
Straight Plug
PLU010169



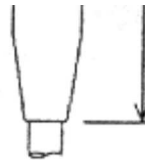
Dust Cap



RECEPTACLES

.lack





Optional: SP-990 Crimp Tool



2 and 3 Contacts

Use XX-2S-XX in part numbers for 2-contacts.

Use XX-3S-XX in part numbers for 3-contacts.

All shell sizes and dimensions are the same as shown above for the XX-4S-XX, 4 contact connectors.

XX-2S-XX
2-CONTACTS



XX-3S-XX
3-CONTACTS



For .105" Max. Cable O.D., AWG 29 to AWG 30.

** Dependent on boot positioning.

m **ICROTECH, INC.**
1420 CONCHESTER HIGHWAY
BOOTHWYN, PENNA. 19061

PHONE: (610) 459 3566

FAX: (610) 358-4827