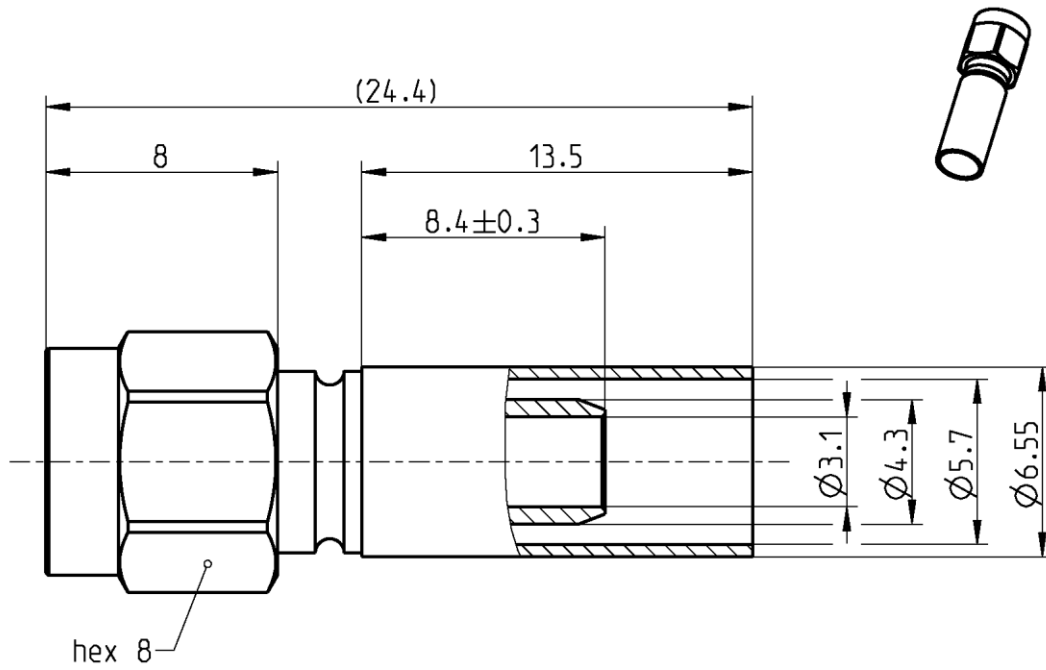


## Technical Data Sheet

**Rosenberger**

SMA

Straight Plug

**32S107-307L5**

All dimensions are in mm; tolerances according to ISO 2768 m-H

**Interface**

According to

IEC 60169-15, EN 122110, MIL-STD-348A, Fig. 310

**Documents**

Assembly instruction

32 B8

**Material and plating****Connector parts**

Center contact  
Outer contact  
Dielectric  
Gasket  
Coupling nut  
Crimping ferrule

**Material**

CuBe  
CuBe or equivalent  
PTFE  
Silicone  
CuBe or equivalent  
Copper

**Plating**

AuroDur®, gold plated  
AuroDur®, gold plated  
Gold, 0.1 µm  
Gold, 0.1 µm

**Electrical data**

Impedance	50 Ω
Frequency	DC to 12.4 GHz
VSWR	≤ 1.04, DC to 1 GHz
	≤ 1.05, 1 to 2.5 GHz
	≤ 1.20, 2.5 to 5 GHz
Insertion loss	≤ 0.04 x √f(GHz) dB, DC to 5 GHz
Insulation resistance	≥ 5 x10 <sup>3</sup> MΩ
Center contact resistance	≤ 3 mΩ
Outer contact resistance	≤ 2 mΩ
Test voltage	1000 V rms
Working voltage	480 V rms
Power handling (at 20 °C, sea level, VSWR 1.0)	≤ 200 W @ 2 GHz
RF-leakage	≥ 100 dB up to 1 GHz

- Limitations are possible due to the used cable type -

**Mechanical data**

Mating cycles	min. 500
Coupling nut retention	≥ 270 N
Center contact captivation: axial	≥ 27 N
Coupling test torque	max. 1.7 Nm
Recommended torque	0.8 Nm to 1.1 Nm

**Environmental data**

Temperature range	-65°C to +165°C
Thermal shock	MIL-STD-202, Meth. 107, Cond. B
Corrosion	MIL-STD-202, Meth. 101, Cond. B
Vibration	MIL-STD-202, Meth. 204, Cond. D
Shock	MIL-STD-202, Meth. 213, Cond. I
Moisture resistance	MIL-STD-202, Meth. 106
RoHS	compliant

**Tooling**

Crimping tool	11W150-000
Crimp insert	11W150-108

**Suitable cables**

RG 142 B/U

**Weight**

Weight	3.67 g/pce
--------	------------

While the information has been carefully compiled to the best of our knowledge, nothing is intended as representation or warranty on our part and no statement herein shall be construed as recommendation to infringe existing patents. In the effort to improve our products, we reserve the right to make changes judged to be necessary.

For the installation of the electrotechnical equipment, particular electrotechnical expertise is required.



Dieses Dokument ist urheberrechtlich geschützt • This document is protected by copyright • Rosenberger Hochfrequenztechnik GmbH & Co. KG

RF\_35/09.14/6.2

Draft	Date	Approved	Date	Rev.	Engineering change number	Name	Date
Rong Fang	11.03.04	Chr. Janßen	17.11.20	h00	20-1927	S. Huber-Siegl	17.11.20

Rosenberger Hochfrequenztechnik GmbH & Co. KG P.O.Box 1260 D-84526 Tittmoning Germany <a href="http://www.rosenberger.de">www.rosenberger.de</a>				Tel. : +49 8684 18-0 Email : <a href="mailto:info@rosenberger.de">info@rosenberger.de</a>		Page 2 / 2	
--	--	--	--	--	--	---------------	--