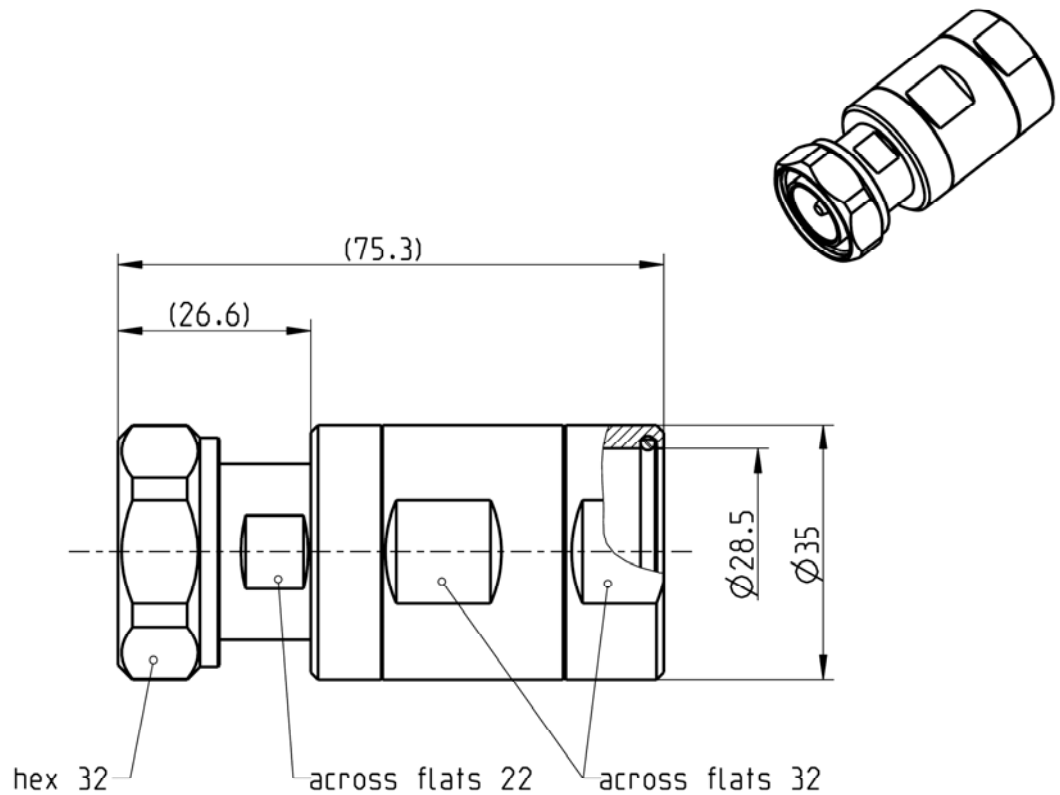


7/16 STRAIGHT PLUG
(7/8"R)

www.pewtronic.cz
PLU010131



All dimensions are in mm; tolerances according to ISO 2768 m-H

Interface

According to IEC 60169-4, VG 95250, EN 122190, DIN 47223

Documents

Assembly instruction 60 I25

Material and plating

Connector parts

Center contact
Outer contact
Body
Dielectric
Gasket

Material

Brass
Brass
Brass
PTFE
Silicone

Plating

Silver, 3-6 μ m
Flash white bronze over silver(e.g. Optargen®)
Flash white bronze over silver(e.g. Optargen®)

7/16 STRAIGHT PLUG
(7/8"R)

www.pewtronic.cz
PLU010131

Electrical data

Impedance 50 Ω
 Frequency DC to 8.3 GHz
 Return loss ≥ 35 dB, DC to 1 GHz
 ≥ 30 dB, 1 to 2.7 GHz
 Insertion loss ≤ 0.05 dB
 Insulation resistance ≥ 10⁴ MΩ
 Center contact resistance ≤ 0.4 mΩ
 Outer contact resistance ≤ 1.5 mΩ
 Test voltage (at sea level) 4000 V rms, 50 Hz
 Working voltage (at sea level) 2700 V rms, 50 Hz
 Power handling (at 20 °C, sea level, VSWR 1.0) 1800 W @ 1 GHz
 800 W @ 4 GHz
 RF-leakage ≥ 128 dB up to 1 GHz
 Intermodulation (3rd order) ≤ -117 dBm @ 2 x 20 W
- Limitations are possible due to the used cable type -

Mechanical data

Mating cycles min. 500
 Coupling nut retention ≥ 1000 N
 Center contact captivation: axial ≥ 200 N
 radial ≥ 2 Ncm
 Coupling torque (recommended) 25 to 30 Nm
 Proof torque max. 35 Nm

Environmental data

Temperature range -55°C to +155°C
 Rapid change of temperature DIN EN 122190, clause 4.6.7
 Corrosion salt mist DIN EN 122190, clause 4.6.10
 Vibration DIN EN 122190, clause 4.6.3
 Damp heat DIN EN 122190, clause 4.6.6
 Climatic tests DIN EN 122190, clause 4.6.5 (55/155/56)
 Degree of protection (mated pair) IEC 60529, IP68 2.5 bar
 2002/95/EC (RoHS) compliant

Tooling

N/A

Suitable cables

Leoni 7/8" R (recommended)
 Andrew LDF 5-50A
 RFS LCF 78/50

Packing

Standard 1 pce in bag
 Weight 240.0 g/pce

While the information has been carefully compiled to the best of our knowledge, nothing is intended as representation or warranty on our part and no statement herein shall be construed as recommendation to infringe existing patents. In the effort to improve our products, we reserve the right to make changes judged to be necessary.

Draft	Date	Approved	Date	Rev.	Engineering change number	Name	Date
Inge Mühlauer	29/06/04	Krautenbacher J.	05.11.07	e00	07-0767	T. Stadler	05.11.07
Rosenberger Hochfrequenztechnik GmbH & Co. KG P.O.Box 1260 D-84526 Tittmoning Germany www.rosenberger.de					Tel.: +49 8684 18-0 Fax: +49 8684 18-499 email: info@rosenberger.de		Page 2 / 2