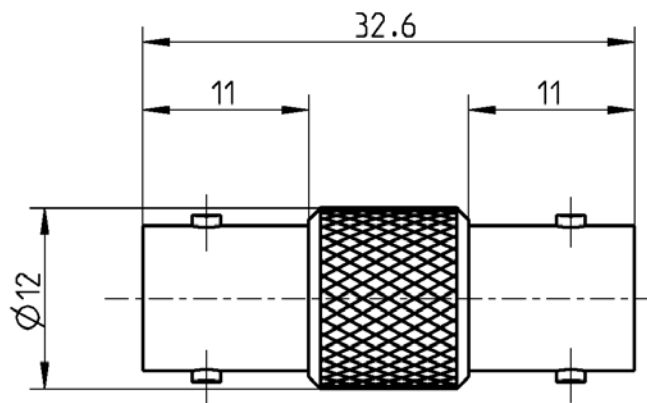


ADAPTOR
BNC 75 Ω JACK - JACK

www.pewtronic.cz
PLU010057



All dimensions are in mm; tolerances according to ISO 2768 m-H

Interface

Compatible to IEC 60169-8, MIL-PRF-39012, CECC 22120

Documents

N/A

Material and plating

Connector parts

Center contact
Outer contact
Body
Dielectric

Material

Spring bronze
Brass
Brass
PTFE

Plating

Gold, min. 0.8 µm, over chemical nickel
Flash white bronze over silver(e.g. Optargen®)
Flash white bronze over silver(e.g. Optargen®)

**ADAPTOR
BNC 75 Ω JACK - JACK**

www.pewtronic.cz
PLU010057

Electrical data

| | |
|--|---|
| Impedance | 75 Ω |
| Frequency | DC to 4 GHz |
| Return loss | ≥ 28 dB, DC to 0.2 GHz ≥ 18 dB, 0.2 to 0.5 GHz |
| Insertion loss | ≤ 0.1 x √ f [GHz] dB, DC to 0.5 GHz |
| Insulation resistance | ≥ 5 x10 ³ MΩ |
| Center contact resistance | ≤ 1.5 mΩ |
| Outer contact resistance | ≤ 1 mΩ |
| Test voltage | 1500 V rms |
| Working voltage | 400 V rms |
| Power handling (at 20 °C, sea level, VSWR 1.0) | ≤ 80 W @ 2 GHz |

Mechanical data

| | |
|-----------------------------------|----------|
| Mating cycles | min. 500 |
| Center contact captivation: axial | ≥ 15 N |

Environmental data

| | |
|--|-------------------------------------|
| Temperature range | -45°C to +85°C |
| Thermal shock | MIL-STD-202, Meth. 107, Cond. B |
| Corrosion | MIL-STD-202, Meth. 101, Cond. B |
| Vibration | MIL-STD-202, Meth. 204, Cond. B |
| Shock | MIL-STD-202, Meth. 213, Cond. G |
| Moisture resistance 2002/95/EC (RoHS) | MIL-STD-202, Meth. 106 compliant |

Tooling

N/A

Suitable cables

N/A

Packing

| | |
|----------|--------------|
| Standard | 1 pc. in bag |
| Weight | 12.5 g/pc. |

While the information has been carefully compiled to the best of our knowledge, nothing is intended as representation or warranty on our part and no statement herein shall be construed as recommendation to infringe existing patents. In the effort to improve our products, we reserve the right to make changes judged to be necessary.

| Draft | Date | Approved | Date | Rev. | Engineering change number | Name | Date |
|--|----------|------------------|----------|--|---------------------------|----------------|---------------|
| Inge Mühlauer | 27/07/04 | J. Krautenbacher | 04/10/06 | b00 | 06-0478 | S. Huber-Siegl | 04/10/06 |
| Rosenberger Hochfrequenztechnik GmbH & Co. KG P.O.Box 1260 D-84526 Tittmoning Germany www.rosenberger.de | | | | Tel.: +49 8684 18-0 Fax: +49 8684 18-499 email: info@rosenberger.de | | | Page 2 / 2 |